

# RAM PROMASTER & PROMASTER CITY CARGO VAN EQUIPMENT



# ADRIAN STEEL®

Cargo Management Solutions for Commercial Vehicles



### TIME IS MONEY! GET ON THE ROAD WITH EVERYTHING YOU NEED!

Adrian Steel has the storage products you need, with a nationwide distributor network for professional installation. This catalog will help you set up your work van with the equipment you need to get the job done. Start with a partition to keep your cargo in the cargo area. Choose the shelving and modules for the curb and street side that fit your business needs. Or, choose a pre-designed trade package to start from. Add the accessories you need to make your van more organized. Carry ladders or cargo on your roof? Check out the variety of ladder and utility racks available. The options are many, so if you don't know where to start contact your local Adrian Steel distributor for the expert advice you are looking for.

**\$500 or \$1000  
ON THE JOB ALLOWANCE\*  
ON PROMASTER**

**\$500  
ON THE JOB ALLOWANCE\*  
ON PROMASTER CITY**

### MAKE YOUR RAM CARGO VAN WORK READY WITH THE RAM ON THE JOB INCENTIVE PROGRAM.

Get The Ultimate In Flexibility When You Take Upfit Cash And Apply It Towards Any Adrian Steel Upfit.

#### WHAT ON THE JOB?

RAM ON THE JOB is an incentive program designed specifically for business owners who use vehicles in the day-to-day operation of their business. This incentive is available through your local RAM dealership. Please see dealership for eligibility requirements.

#### SAVE TIME!

Don't go searching around town for product you need for your RAM Cargo Van. Adrian Steel has a comprehensive line of cargo management solutions to get your van upfitted for your trade! You can leave the dealership with a cargo van that is ready to go to work!

#### COMMERCIAL EXPERTS!

Your RAM Dealership and Adrian Steel Distributor can guide you through the upfit process. Utilize their product expertise to get a complete, turn-key work vehicle.

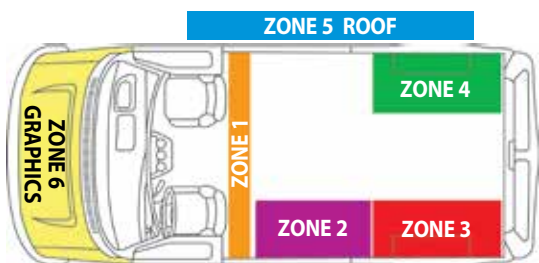
#### PRODUCT FLEXIBILITY!

Create a work ready van, designed by you, for your specific cargo carrying needs! Organize the interior of your van to suit your trade with Adrian Steel's modular product line. Start with the essentials: a partition, shelving and a roof rack. Then get trade specific by adding drawer units, door kits, hook bars, floor drawers and more!

#### PROGRAM TIMEFRAME & DETAILS\*

The RAM ON THE JOB COMMERCIAL VEHICLE PROGRAM runs through January 2, 2020. Program is not available in all areas and may not be compatible with other offers or incentive programs. Consult your RAM dealer for complete program details. For more information, please contact your local Adrian Steel Distributor.

\* Program subject to change without notice.



**Need some help?**  
**Contact your local distributor!**  
**They can provide a wealth of information about utilizing the cargo space in your work van.**  
**Find your local distributor online at [adriansteel.com](http://adriansteel.com).**

#### ZONE 1 PARTITION

- Choose partition style: solid or perforated for the ProMaster. Do you want a hinged door?
- Choose between a steel or wire partition for the ProMaster City.

#### ZONES 2, 3, 4 CURBSIDE & STREETSIDE

- Use layout diagrams to determine the amount of space available.
- Choose from a variety of shelving units and modules that will best organize the tools and equipment you need to carry.
- Or, choose a Work Ready Upfit, complete with a trade specific, pre-designed interior and custom graphics package.

#### ZONE 5 ROOF

- What do you need to carry?
- Choose from LoadsRite, Grip-Lock, and Utility racks.
- Add rack accessories including step ladder kits, ratchet straps, conduit carriers and more.

#### ZONE 6 VEHICLE GRAPHICS

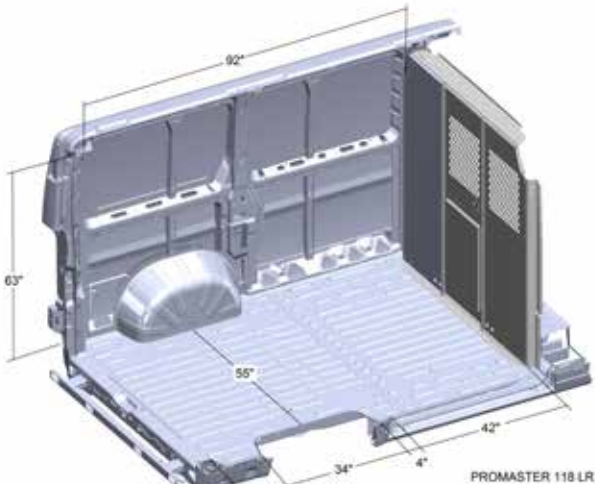
- Stand out in the crowd!
- Vehicle graphics are the most cost effective form of advertising!

#### ADDITIONAL STORAGE

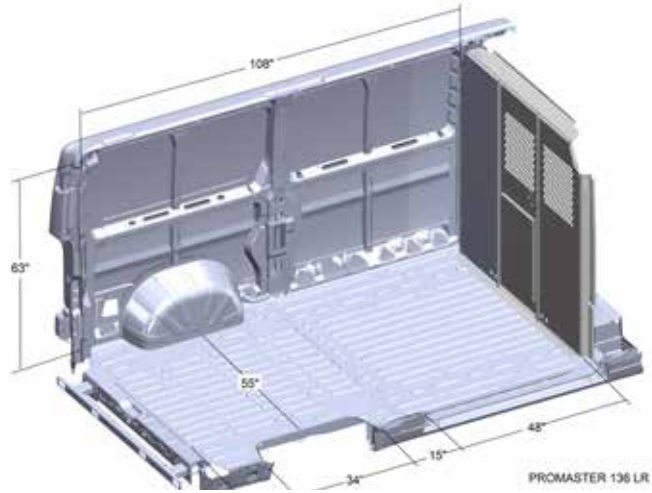
- Determine the space needed for specialty equipment.
- Add accessories to shelving and partition
- Hooks, drawers, files, screens, and more.

**ProMaster & ProMaster City**

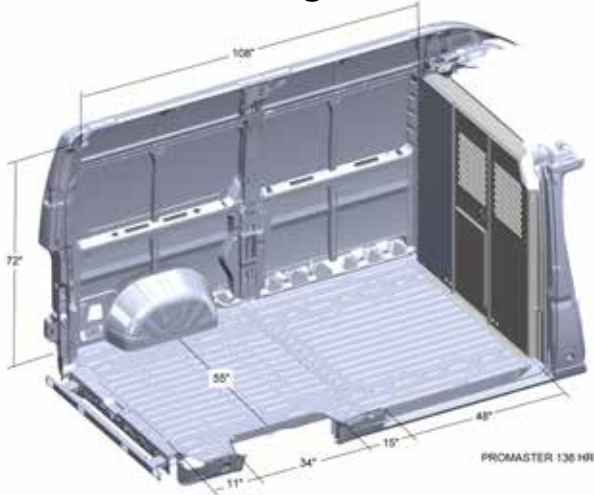
**ProMaster Low Roof 118"WB**



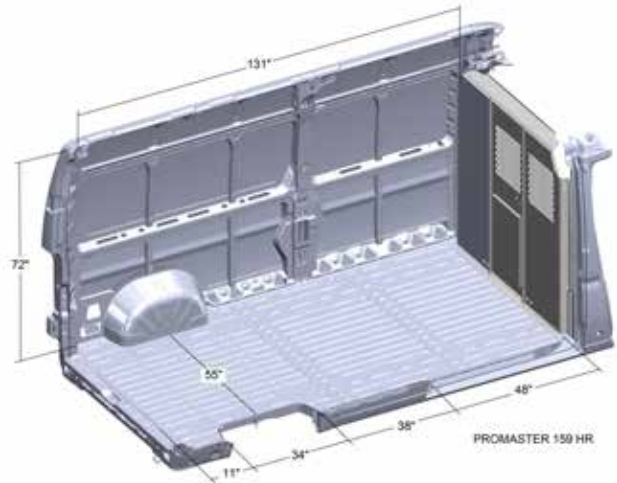
**ProMaster Low Roof 136"WB**



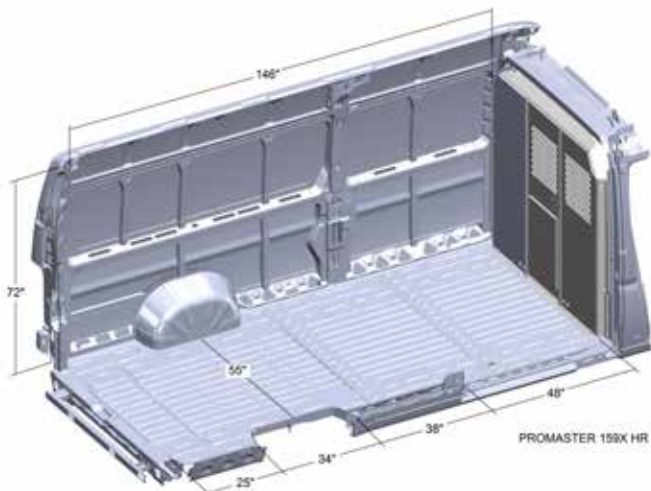
**ProMaster High Roof 136"WB**



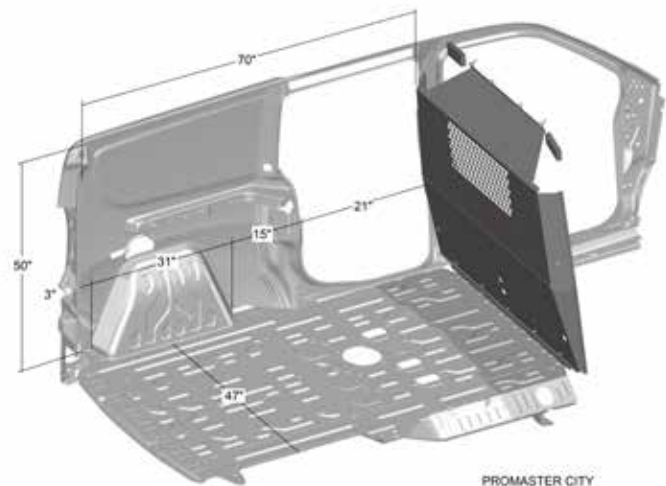
**ProMaster High Roof 159"WB**



**ProMaster High Roof 159" Extended WB**



**PROMASTER CITY**



Note: Dimensions for reference only. Measure your van or contact your distributor for your exact needs.

All illustrations, photos and specifications in this publication are based on the latest product information available at the time of content approval.

The right is reserved to make changes at any time, without notice, in materials, specifications and models, and also to discontinue models.

**ADRIAN STEEL PARTITIONS KEEP CARGO WHERE IT BELONGS, IN THE CARGO AREA! ProMaster**



**S-M-C Series Partitions**

Choose from solid or perforated top panels made from 18-gauge steel for strength and finished in a tough powder coat paint. Center M panels can be fixed or hinged with a key-locking door. Partitions are sold as panel kits and wing kits. Please see application chart to confirm the appropriate panel kit and wing kit for your vehicle. Optional extended wing kits offer 3" of additional space in the cab area to allow for more seat adjustability.

Note: Extended wing kits reduce the amount of cargo space. Please confirm the interior layout of the van package to confirm that the extended wing kit has adequate room needed for installation.

**S1 SOLID PANEL**

Panels mount behind driver seat.

**M1 SOLID PANEL**

**M2 PERFORATED TOP PANEL**

Fixed center panels can be hinged as key-locking doors

**C1 SOLID PANEL**

**C2 PERFORATED TOP PANEL**

Panels mount behind passenger seat

**CENTER CONSOLE DESK**



- Designed to mount between the front seats.
- Rugged steel construction with a hinged worktop and key locking handle.
- Convenient lid mounted clip holds papers in place on the writing surface.
- Measures 10.3" x 22.4" x 20.4".

**CCD10 Center Console**

**CCDLTH Center Console Laptop Holder**

**CCDHF10 Center Console Hanging File**

**TECH DESK CONSOLE - TDC10**



- Designed to mount between the front seats.
- 2 USB Ports.
- Non-Slip lid tray to keep items from falling off during transit.
- Internal Organization.
- Lockable Lid.
- Interior LED lights.

**PROMASTER PARTITION OPTIONS:**

**Fixed Center Panel**

- S1M1C1PM** All Solid Panels
- S1M2C2PM** Perforated Center and Curb Panels

**Hinged Center Panel "Door"**

- S1M1HC1PM** All Solid Panels
- S1M2HC2PM** Perforated Center and Curb Panels

**Steel Partition Mounting Kits - Standard & High Roof**

- WKC1PM** Standard Position
- WKC1PM3** Extended Position - adds 3" to the cab area (reduces cargo area)
- WKC1PMR** Standard Position when Factory Partition was Removed
- WKC1PMR3** Extended Position when Factory Partition was Removed - adds 3" to the cab area (reduces cargo area)

**FOR A MORE COMFORTABLE MOBILE OFFICE**

**NEW COMPOSITE PARTITION FOR RAM PROMASTER & PROMASTER CITY**

Your mobile office is now more comfortable with an Adrian Steel composite partition. Sound deadening reduces driver distractions. Climate control reduces vehicle idle time for warm up and cool down. Generous leg room for less stress behind the wheel. The integrated steel frame provides the same level of performance that you are accustomed to from Adrian Steel.

**PARPM** - Composite Partition w/ Visibility

**PARPM-NW** - Composite Partition

*\*This product fits the Low & High Roof ProMaster.*

- *Increased climate control due to a tighter seal between the partition and van.*
- *Added driver comfort with increased seat recline angle.*
- *Noise dampening for better focus while driving.*



**ProMaster City**

**PARPMC** - Composite Partition w/ Visibility

**PARPMC-NW** - Composite Partition

- *Available with or without a clear poly rear-view window.*
- *Add hooks along the integrated AD rail.*
- *Features a mounting location by the door for a fire extinguisher (not included.)*



**STEEL PARTITION W/ VISIBILITY**

The **P2PMCS15** features all steel panels that safeguard the cab area against moving and shifting cargo. The recessed design allows for maximum adjustability of the front seats and provides storage space for a 6 foot step ladder in the back of the ProMaster City. The perforated window allows for visibility of your cargo area and rear windows while the solid steel construction provides better climate control and sound deadening. The steel header and full perimeter wings provide optimal security. Order the **P1PMCS15** for a solid partition with out the perforated window. Perfect for extra cab climate control.



**WIRE PARTITION**

The **P2PMCFW15** provides maximum visibility while safeguarding your van cab area against moving and shifting cargo. The recessed design allows for maximum adjustability of the front seats and provides storage space for a 6 foot step ladder in the back of the ProMaster City. The **P2PMCFW15** is lightweight and economical without sacrificing safety and security.



**Partition Accessories**



**TA1 4-Hook Bar** 2" x 12" bar mounts to partition or shelving. Four welded hooks with 2" hanger opening.

**PDK1 Steel Partition Door Kit** converts ProMaster M-Series fixed center panel partition into a hinged door with keyed slam latch. Includes two 6" hinges, bulb seal and a slam latch that reduce vibration noise.



**PA9 First Aid Tray** secures first aid box. Measures: 11"W, 4-1/2" H, 3-1/8" D

**PA7 Reflector Kit w/ Bracket** Includes reflector kit with metal pocket holder, I.C.C. approved.



**PA8 Fire Extinguisher** is a rechargeable, 2-1/2 lb. dry chemical extinguisher. Stops Class A, B and C fires. Complete with charge gauge and mounting bracket.

**PA10 File Holder** Organizes paperwork. Measures: 12"W, 7" H, 5" D.

**TH30 or TH50 Tank Holder** holds 30lb. or 50lb. tank to partition or other vertical surface.

**PA5-SPR Partition Climate Control Kit** (not shown) install over the perforations of the ProMaster partition to help with climate control in the cab.

**EXCLUSIVELY FROM ADRIAN STEEL: A SHELVING PLATFORM THAT ALLOWS YOU TO PUT SHELVES WHERE YOU WANT THEM, NOT WHERE WE THINK YOU NEED THEM!**

ADseries is the next generation of cargo management solutions, engineered to optimize your work van storage and accessibility. Featuring truly ADjustable shelves, an ADaptable rail system, and heavy-duty shelves designed to accommodate the diverse range of cargo you need to get the job done.

**ADJUSTABLE SHELVES**

Tools, equipment and cargo come in all shapes and sizes and until now, there hasn't been a shelving unit that is truly adjustable. The ADseries is the first of it's kind where, with only a screwdriver, you can simply remove the front shelf bolts and move the shelf to where you need it.



The **HAD shelving units** for the Promaster feature two ADseries adjustable shelves in the center of the shelf unit. These two shelves feature a 2" lip and, with only a screwdriver, can be adjusted up or down on one inch increments.

MODEL	OVERALL SIZE	DESCRIPTION
HAD3259	32" x 59" x 14"	Fits Promaster
HAD4459	44" x 59" x 14"	Fits Promaster
HAD5059	50" x 59" x 14"	Fits Promaster

**HAD5059 shown with optional TA1 4-Hook Bar**

**HD shelving units for the ProMaster and the ProMaster City feature KD adjustable shelves.**



**HD-28NV2**  
The top and bottom shelf feature a 2" lip, the center shelf features a 4" lip. Each shelf can be adjusted up or down on one inch increments. The contoured end panels allow the shelf to sit closer to the van wall.  
**DV12 Shelf Dividers** are available.  
Fits RAM ProMaster City.



**HD32TC**  
All shelves are adjustable on one inch increments and feature a one inch lip.  
**DV12 Shelf Dividers** are available.  
Fits RAM ProMaster City.



**HD4459**  
The top and bottom shelf feature a 2" lip, the center two shelves feature a 4" lip. Each shelf can be adjusted up or down on one inch increments.  
Fits full size RAM ProMaster.

MODEL	OVERALL SIZE	VECHILE FIT	OPEN SHELF SPACE
HD3259	32" W x 59" H x 14" D	Fits ProMaster	9.33 sq ft
HD4459	44" W x 59" H x 14" D	Fits ProMaster	17.11 sq ft
HD5059	50" W x 59" H x 14" D	Fits ProMaster	19.44 sq ft
HD32TC	32" W x 46" H x 12" D	Fits ProMaster City	10.67 sq ft
HD-28NV2	28" W x 46" H x 12" D	Fits ProMaster City	7 sq ft

**JD SERIES JUMBO DEEP SHELVING**

- Available in 18" and 24" depths.
  - Shelf gussets and floor rail provide extra strength.
  - 18" deep units contain one 14" and two 18" deep shelves.
  - 24" deep units have squared end panels and two shelves.
- See chart.

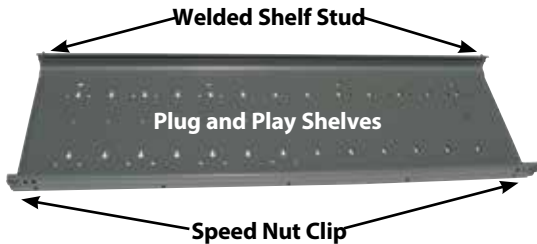
MODEL	OVERALL SIZE	VECHILE FIT	OPEN SHELF SPACE
JD42FP	42" W x 46" H x 18" D	Fits ProMaster	14.58 sq ft
JD52FP	52" W x 46" H x 18" D	Fits ProMaster	18.56 sq ft
JD48FP	48" W x 48" H x 24" D	Fits ProMaster	20.21 sq ft
JD60FP	60" W x 48" H x 24" D	Fits ProMaster	20 sq ft



Contoured top and bottom steel end panels maximize aisle space. Shelves adjustable on 1" centers.

### ADAPTABLE INTERIOR

Everyone likes to set their work van up their own way. The new ADseries shelving lets you position the shelving where you need it. Exclusive to the ADseries, the unique rail system enables you to reposition the shelving in the van, increasing the available space for trade specific equipment. All of this is done without removing bolts, plugging holes and redrilling the van!



**Truly Adjustable Shelves** All you need is a phillips screwdriver! Simply remove two bolts from the speed nut clips that come with the shelf, tilt the shelf upwards, move the shelf to your desired location, insert the rear shelf studs, reattach the bolts and you're done!

**Rear Shelf Studs** unique design lock shelves in place!

### ADD ACCESSORIES

Businesses change over time and your van interior should be able to change with your needs. Plug and Play shelves have prepunched holes that allow adding storage solutions easily! ADseries dividers simply snap in place, drawer units simply bolt in and door kits can be added to lock your more valuable parts and equipment. Many Adrian Steel accessories can be added to the ADseries shelving with the rail adapter kits and end panel brackets.



### ADSERIES SHELF UNITS AND RAIL KITS

MODEL	SIZE	DESCRIPTION
HAD3259	32"W x 59"H x 14"D	fits ProMaster, std. & high roof
HAD4459	44"W x 59"H x 14"D	fits ProMaster, std. & high roof
HAD5059	50"W x 59"H x 14"D	fits ProMaster, std. & high roof
AD28PMC	28"W x 46"H x 14"D	fits ProMaster City
AD32PMC	32"W x 46"H x 14"D	fits ProMaster City
RKPMSWB	Mounting Rail Kit	ProMaster
RKPMWB	Mounting Rail Kit	ProMaster
RKPMLWB	Mounting Rail Kit	ProMaster
RKPMXLWB	Mounting Rail Kit	ProMaster
RKPMC	Mounting Rail Kit	ProMaster City
RK72PMC	Mounting Rail Kit	ProMaster City

Note: Rails are not included with the shelf units. Rail kits must be ordered separately

Note: Shelves have the following weight rating:

- Shelves positioned with the shelf lips facing up have a rating of 100lbs per shelf evenly distributed.
- Shelves positioned with the shelf lips facing down have a rating of 200lbs per shelf evenly distributed.

### ADSERIES ACCESSORIES

MODEL	SIZE/DESCRIPTION
DV14C1	Shelf Divider
DV14C8	14" Shelf Dividers, 8 pack
DV12	Shelf Divider
DV14	Shelf Divider
DK3008	Door Kit
DK3010	Door Kit
DK4208	Door Kit
DK4210	Door Kit
DK4808	Door Kit
DK4810	Door Kit
BRK14EPS	End Panel Mounting Bracket
RKA1	Rail Kit Adapter/See list at right
RKA3	Rail Kit Adapter3/See list at right
RKA4	Rail Kit Adapter4/See list at right
RKABRK1	Single Adapter Bracket for Rail Kit
RKABRK2	Double Adapter Brackets for End Panel
RKAWTR	Welded Tank Rack Rail Adapter
RKA919	Drawer Riser Kit
35325-G	32" Long Shelf
35327-G	44" Long Shelf
35328-G	50" Long Shelf

**RKA1** – Rail Adapter Kit1  
Use with: CB2, CB3, CB4 (uses 2)

**RKA3** – Rail Adapter Kit3  
Use with: #1, #12, #2, #8, DC Units, 17A, CRH2, TA19, TA5

**RKA4** – Rail Adapter Kit4  
Use with: CL1446D/R, #40, KDRH2, KD Shelving Units, #33, #3, #33W, JD Shelving

**BRK14EPS** – End Panel Mounting Bracket.  
Use with: 17A, CB5, 43, TA19, TA20, WRH5, UH10/25/50, PA9, PA8, ACT3/4, PA11, AGSCH2, PA7, TH30, TH50, TA5

**RKABRK1** – Used with TA19, TA20, TA5



**SPECIFIC JOBS DEMAND SPECIFIC STORAGE SOLUTIONS.**

Cabinet and Drawer Modules provide secure storage for large and small tools and parts. The modular design allows you to get what you need now and the ability to add more when you need it. Whatever the job demands, Adrian has the storage solutions to transport your gear safely and securely.



**TANK CABINETS**

- Provide vented storage for Propane, Mapp gas or CO2 tanks.
- Cabinets feature a full door gasket with two snap latches for positive door closure.
- Interior cabinet cradle and retaining straps (foam yokes for TA19) secure tanks and prevent movement.
- Floor vent and tubing are included for exhausting fumes.
- Propane cabinets store 20, 30 or 40 lb. tanks.
- Mapp Gas Cabinets store 6 1/2" diameter tanks.
- CO2 Tank Cabinets store 20 lb. cylinders.

MODEL	DESCRIPTION	CABINET SIZE
TA18	Compressed Gas Tank Cabinet	14-3/4"W x 36"H x 13"D
TA19	Compressed Gas Tank Cabinet	13"W x 32"H x 12-1/2"D
TA20	Mapp Gas Cabinet	14"W x 26"H x 8"D



Folding T handles don't stick out into aisles.

**SHELF CABINETS**

- Available in 12" and 18" front to rear lengths
- Can be used free standing or stacked with our lockable drawer units.
- Feature locking recessed tee-handles for secure storage and receive a durable gray powder coat finish.
- Cabinets feature an open side and can be combined for side-by-side use holding items up to 35" long.
- Optional end panel can be added to close off side when required.
- Include an adjustable shelf that can be removed
- Cabinets provide a solid surface to stack modular drawers, cabinets and bins.

MODEL	DESCRIPTION	CABINET SIZE
1	Adjustable Single Shelf Cabinet w/Lock	18"W x 22"H x 18"L
12	Adjustable Single Shelf Cabinet w/Lock	18"W x 22"H x 12"L
1A	Cabinet Shelf	No. 1
12A	Cabinet End Panel	No.12



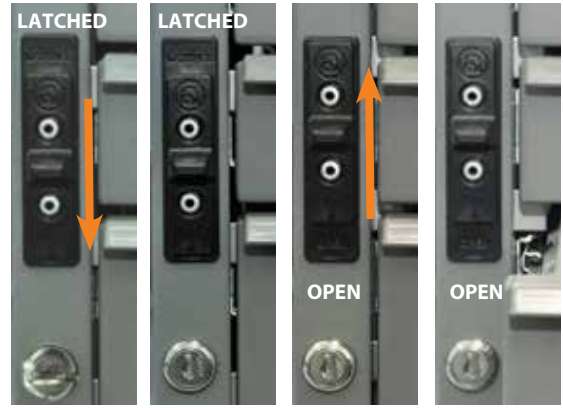
**CABINET LOCKERS**

- Full-door Lockers feature a 46" high storage space with 3 removable shelves.
- Short-door Lockers feature a 33" high storage area and with 2 removable shelves.
- Locker doors are reversible for flexibility and feature locked recessed T-handles for security.
- Cabinet Lockers taper from 14" to 12" from front to back in depth at top and bottom to maximize aisle space.

MODEL	DESCRIPTION	CABINET SIZE
CL1446R	Adjustable 3-Shelf Cabinet w/ Lock	18"W x 46"H x 14"D
CL1446D	Adjustable 3-Shelf Cabinet w/ Lock	18"W x 46"H x 14"D



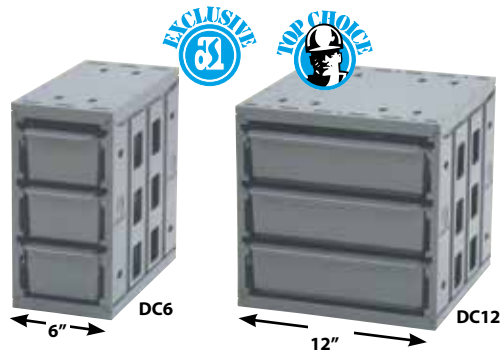
2.5" deep drawers come with ABS divided and removable trays perfect for small parts.



### DRAWER UNITS – LOCK 'N LATCH SYSTEM

- Our exclusive Lock 'n Latch system provides a choice of drawers open, drawers retained or drawers locked position.
- Drawers are made of an engineered composite material for durability with heavy-duty drawer glides for support and smoother drawer operation.
- The new drawer glides significantly increase the ease of use when opening and closing the drawer units. They all but eliminate the rattle noise of the drawers when the driving the vehicle.
- Drawers and glides can be repositioned within cabinet for increased flexibility.
- Divide 5" deep drawers into compartments using optional metal "egg crate" dividers.

MODEL	DESCRIPTION	DRAWER SIZE (QTY.)
19	2-Drawer Unit w/ Lock	16"W x 5"D x 11-1/2"L (2)
919	3-Drawer Unit w/ Lock	16"W x 2-1/2"D x 11-1/2"L (2) 16"W x 5"D x 11-1/2"L (1)
9	4-Drawer Unit w/ Lock	16"W x 2-1/2"D x 11-1/2"L (4)
27	Drawer Divider Assembly	19 or 919 Drawer (1)



### DRAWER COMPONENTS

- Organize small parts with our flexible and rugged composite Drawer Components.
- Drawer retention stops prevent drawers from opening while the vehicle is in transit.
- Made of a hi-impact polymer for a quiet operation.
- Each drawer comes with 2 dividers and 7 divider slots.
- Interlocking feature allows up to 2 units stacked vertically or multiple units horizontally.
- Choose from Adrian Steel's pre-configured drawer systems or create your own drawer system from the base models.

MODEL	DESCRIPTION	OVERALL SIZE
DC6	3-Drawer Unit	6"W x 12"H x 12"D
DC12	3-Drawer Unit	12"W x 12"H x 12"D
DS06212V	6-Drawer Unit	12"W x 24"H x 12"D
DS36012H	9-Drawer Unit	18"W x 12"H x 12"D
DS46012	12-Drawer Unit	12"W x 24"H x 12"D

5lb. weight capacity per drawer.



#2 Cabinet Size  
18"W x 24"H x 18"L

#8 Cabinet Size  
18"W x 18"H x 12"L

### DRAWER UNITS – LOCKING HINGE AND HASP

- Drawers are welded and have reinforced drawer slides for strength.
- Can be locked with a padlock (not included) for security.
- Divide drawers with optional metal "egg crate" dividers.

MODEL	DESCRIPTION	DRAWER SIZE (QTY.)
8	3-Drawer Unit	16"W x 5"D x 11-1/2"L (3)
2	4-Drawer Unit	16"W x 5"D x 17-1/2"(4)
25	Drawer Divider Assembly	No. 2 Drawer (1)
26	Drawer Divider Assembly	No. 8 Drawer (1)

**ADRIAN'S BLUE BIN SYSTEM IS PERFECT FOR VISUAL INVENTORY MANAGEMENT.**



- 6" and 12" bins maximize the ADseries shelf space.
- The bins can nest on top of each other when at the job site or in the warehouse getting filled to go.
- Add a label to the front so you can find parts quickly
- Each bin can accommodate one optional divider.

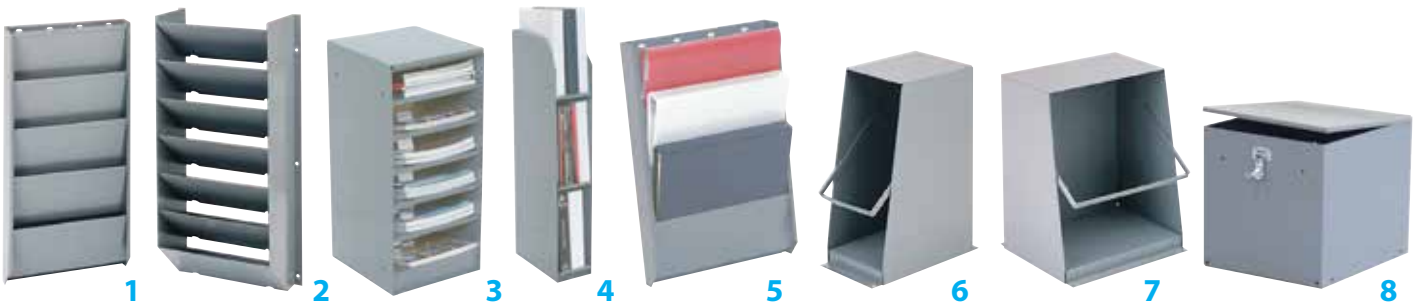
MODEL	DESCRIPTION
SBIN060614	Snap In Bin, 6" X 6" X 14"
SBIN120614	Snap In Bin, 12" X 6" X 14"
SBINDIV	Snap In Bin Divider

**FLOOR DRAWERS**

- Adrian Steel exclusive Anti-Slam latch keeps drawer from closing without positive latch activation. The only aluminum drawer in the industry with this feature!
- An automotive grade lock keeps expensive cargo secure and the adjustable divider helps keep contents segmented.
- The integral latch keeps the drawer open when you are on an incline and closed when you're done!
- Heavy duty grab handles and ball bearing slides allow the drawer to open and close with ease.
- Can be stacked to utilize large cubic storage areas.
- 24" deep units have a weight capacity of 350 lbs. and the 36" deep have a 325 lb. weight capacity.



**LITERATURE FILES**



- 1: CB5 5-Slot Literature Rack** Mount on partition or other vertical surface. 2-1/2" deep pockets. Overall size: 12"W, 24"H, 2-1/2"D.
- 2: CB7 7-Slot Literature Rack** Mount on partition or other vertical surface. 6-3/4" deep pockets. Overall size: 14-3/4"W, 28-7/8"H, 7"D.
- 3: 17A 6-Shelf Catalog File** Designed for catalogs but also serves to store a variety of materials between the 3" shelf spacings. Overall size: 11"W, 24"H, 12"D.
- 4: 43 3-Shelf Literature Rack** Fits in narrow spaces. It has three tilted shelves. Perfect for binders and catalogs. Overall size: 6" W, 34" H, 12" D.

- 5: BH4 4-Slot Literature Rack** Designed to mount on partition or almost any vertical surface. Excellent for binders. Each pocket is 2 1/2" deep. Overall size: 12-3/4" W, 19-1/2" H, 2-1/2" D.
- 6: CB2 2-Book File** Mounts on the floor between front seats and partition. Holds folders 12"H x 10-1/2"D. Overall size: 6"W, 14"H, 12"D.
- 7: CB3 3-Book File** Mounts on cabinet tops or on the floor. Multiple units can be flush-mounted. Holds folders 12"H x 10-1/2"D. Overall size: 10-3/4"W, 14"H, 12"D.
- 8: CB4 Utility Box** Stores a variety of printed material. Also suitable for keeping tools, safety glasses, gloves and other items. Hinged lid. Overall size: 12"W, 12"H, 14"D.



1



2



3



4



5

**1: DST21 Door Storage Tray** offers convenient access to parts and tools.

Overall size: 20" W, 4" D, 8" H

**2: Aerosol Can Tray** secure cans for easy access.

**ACT3** - 3-Place Aerosol Can Holder

**ACT4** - 4-Place Aerosol Can Holder

**3: 14 Step Stool** has a wide base and is 12" high. Stool can be used with a workbench or as an auxiliary step. Top measures 10" x 20" One size.

**4: TA2 Hard Hat Holder** secures hat to partition or shelving.

**5: VMA36 Vise Mount Assembly** is floor mounted and telescopes out beyond side or rear cargo doors when fully opened. Measures 36" closed and 60" open.

**6: Touch-Up Paint** in spray cans match Steel-Cote™ finish. Three colors:

**STP12G** - Gray **STP12W** - White **STP12B** - Black

**7: Door Tray** comes with two dividers and has optional lid for containment.

**DT21** - Door Tray Overall size: 18" W, 4" D, 4" H

**DTL21** - Door Tray Lid for DT21 only

**DTWL21** - Door Tray w/ Latching Lid

**8: Hooks** organize a variety of cargo in easy-to-access locations.

**UH10** - Utility Hook, 1"

**UH25** - Utility Hook, 2-1/2"

**UH50** - Utility Hook, 5"

**TA1** - 4-hook bar

**9: Parts Tray** features a 2" deep shelf lip. Can be mounted to cabinet and drawer modules for added top storage.

**4A** - Parts Tray Overall size: 36" W, 12" D, 2" H

**4B** - Parts Tray Overall size: 18" W, 12" D, 2" H

**10: Work Mat** (not shown) Skid resistant commercial rubber floor mat with an aluminum threshold for the side and rear doors.

**88-118PM** - Workmat Kit

**88-159PM** - Workmat Kit

**88-136PM** - Workmat Kit

**88-159EXPM** - Workmat Kit

**11: Composite Floor** (not shown) Solid surface flooring that protects the vehicle floor while eases the loading and unloading of large cargo.

**89-PM136** - Composite Floor

**89-PM159** - Composite Floor

### WIRE WINDOW SCREENS

**60-PM-MLXW** Security Screen Kit. Promaster 136, 159, 159X

**60-PM SWB** Security Screen Kit, ProMaster 118" WB

**60-129** Rear Door Security Screen

**60-130** Passenger Side Sliding Door Security Screen

**60-131** Passenger Side Sliding Door Security Screen

**60-PMCRD** Rear Doors Security Screen Kit

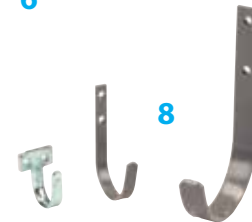
**60-PMCSA** Side Sliding Doors Security Screen Kit



6



Storage for small parts 7



8



9

### REEL HOLDERS



1



2



3



4

**1: CRH2 Cable Reel Holder** features a durable frame, two steel shafts that holds up to a 15-1/2" diameter reel by 14" wide. Overall size: 19-1/8" W, 16" D, 44-7/8" H

**2: KDRH2 2-Bar Wire Reel Holder** holds large spools up to 16" wide and 18" in diameter. Spools nest on conveyor rollers. Includes tie-down chains with neoprene covers. Overall size: 18" W, 46" H, 18" D

**3: WRH5 5-Bar Spool Holder** Five removable bars hold wire spools up to 6" in diameter. Reel Holder mounts to shelf ends or any vertical surface. Overall size: 12" W, 25" H, 4" D

**4: End Panel Reel Holder** Bar mounts between ADseries shelf end panels for easy access to spools of cable and wire.

**KDRH1426** - Wire Reel Holder **KDRH1432** - Wire Reel Holder

**KDRH1444** - Wire Reel Holder **KDRH1450** - Wire Reel Holder

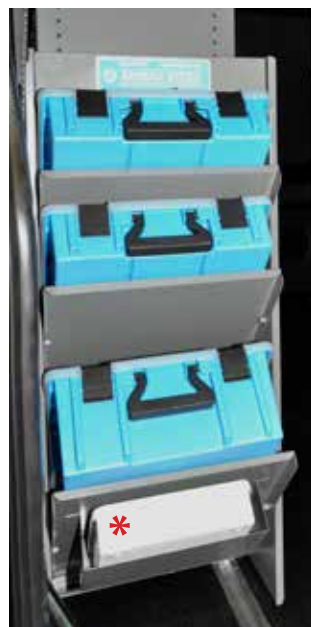
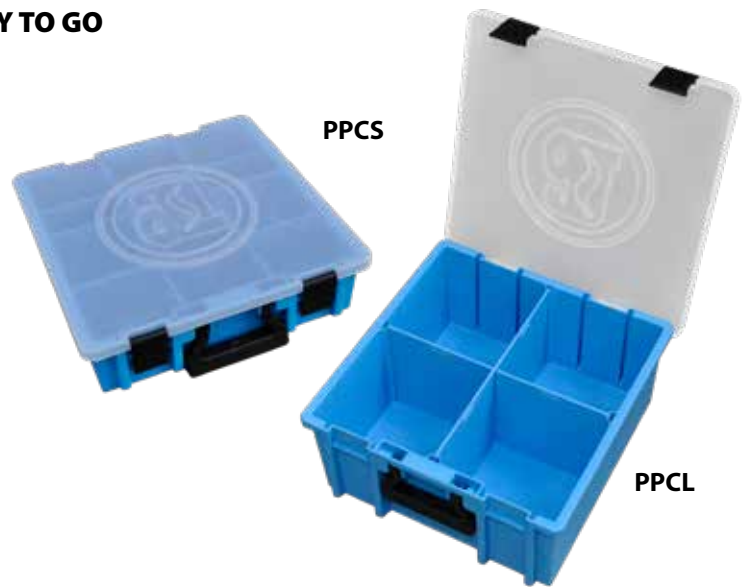
**BE MORE EFFICIENT WITH INVENTORY THAT IS READY TO GO WHEN AND WHERE YOU ARE.**

Versatile, lightweight, durable, convenient and mobile - these **Portable Parts Cases** are perfect for the tech who needs to carry small parts and inventory to the jobsite.

The impact resistant body can be organized with the included adjustable dividers. The see-through lids with snap latches make identifying contents easy.

**PPCS** 14" x 14" x 3.75"

**PPCL** 14" x 14" x 6.25"



**CH-EP**  
15.5" x 11.25" x 37.5"

\* **FIRST AID KIT NOT INCLUDED**



**CHPPC5SM**  
16.5" x 14" x 35"



Add a single **CH1514SGL** or double **CH-1514DBL Case Holder** to an existing shelf to house included cases that stay put while in transport.

**CH1514SGL** 15" x 14" x 12"  
**CH-1514DBL** 15" x 14" x 12"

**INCORPORATE THE PORTABLE PARTS CASES INTO YOUR VAN WITH THE STORAGE OPTION THAT FITS YOUR NEED.**

Three different **Case Holder** options with Portable Parts Cases included give you the ability to house multiple Portable Parts Cases near the vehicle door for easy access to grab-and-go. The **CH-EP** and **CHPPC5SM** include a tray that holds an optional first aid kit and feature slanted shelves.

The **CHPPC4S** includes four PPCS cases and each shelf has a retaining lip to keep cases in place.



**CHPPC4S**  
14 3/8" x 14 3/8" x 18"

## FINALLY!

### A LADDER RACK DESIGNED AROUND YOU... NOT YOUR VEHICLE.

Introducing the All-New Drop-Down Ladder Rack from Adrian Steel!



The new, simpler design makes it easier to install and adjust. The aluminum build of the rack reduces corrosion and keeps your ladder rack looking like new. It will accommodate a variety of ladders and safely secure them for transport.

Technicians that are 5'-4" or taller can safely load and unload the ladder because of the lower, more ergonomic load and unload height. Durability testing ensures that the rack will stand the test of time and perform as it should for many years.



## EXCLUSIVE!

With the turn of a knob, you can quickly adjust the rack to fit a wide variety of ladders.

#### Low Roof

- DD61PML118** - Passenger Side Drop Down Ladder Rack
- DD61PML136** - Passenger Side Drop Down Ladder Rack
- DD63PML118** - Dual-Sided Down Ladder Rack
- DD63PML136** - Dual-Sided Down Ladder Rack

#### High Roof

- DD61PMH136** - Passenger Side Drop Down Ladder Rack
- DD61PMH159** - Passenger Side Drop Down Ladder Rack
- DD61PMHEXT** - Passenger Side Drop Down Ladder Rack
- DD63PMH136** - Dual-Sided Down Ladder Rack
- DD63PMH159** - Dual-Sided Down Ladder Rack
- DD63PMHEXT** - Dual-Sided Ladder Rack

#### Accessories- Low Roof

- DDLRSK2** - Step Ladder Kit
- 80-1LR** -10'6" Aluminum Conduit Kit
- 80-2LR** -12'6" Aluminum Conduit Kit

#### High Roof

- DDLRSKHR** - Step Ladder



Standard rack accommodates 28' extension ladder and 10' step ladder – short step ladders will need optional step ladder kit and up to 32' extension ladder with extension ladder kit.

See it in action on [AdrianSteel.com](http://AdrianSteel.com)



## INTERIOR LADDER RACKS

### OUT OF THE WAY, BUT NEVER OUT OF REACH.

When you transport your ladders within the cargo area of your van, you reduce the wear and tear on the ladder, and on yourself with easy to access and operate ladder storage solutions.



### ILR LADDER HOLDER

- The Interior Ladder Rack does not take up, limit, or reduce vertical standing room in your van and it allows quick and easy access to your ladder from outside of your vehicle.
- Customers will appreciate your use of clean, well taken care of equipment rather than bringing the outside mess into their home.
- Perfect for carrying 4ft and 6ft step ladders. Works best in high roof vans and features plastic coated clamps to protect the ladder rungs during transit.

## UTILITY RACK - PROMASTER STANDARD ROOF



- This all aluminum rack is designed to reduce corrosion by eliminating much of the welding.
- The uprights are fully plastisolled to protect against wear and reduce ladder fatigue.
- Uprights feature many attachment points for securing cargo straps.
- Weather resistant cross bar has nocuts or perforations improving longevity of the rack.
- The Rear Roller Bar eases loading and unloading of the rack.
- The Rear Roller comes standard with the 2 and 3 Bar racks.
- Available in our durable black or white powder coat paint.
- Optional center bars support shorter lengths and provide additional support.

MODEL	DESCRIPTION	COLOR
3BARRPM2-B	3 Bar Utility Rack w/rear roller bar	Black
3BARRPM2-W	3-Bar Utility Rack w/ Rear Roller	White
2BARRPM2-B	2-Bar Utility Rack w/ rear Roller	Black
2BARRPM2-W	2-Bar Utility Rack w/ rear Roller	White
1BARRPM-B	Center Cross Bow Kit	Black
1BARRPM-W	Center Cross Bow Kit	White
80-1	10'6" Aluminum Conduit Kit	
80-2	12'6" Aluminum Conduit Kit	

### GRIP YOUR LADDERS SECURELY WITH ADRIAN'S LOCKING STYLE LADDER RACKS.

Adrian's Grip-Lock racks protect the sides and roof of your van during loading and unloading ladders. All Grip-Lock racks feature a lockable, gripping mechanism which firmly secures one or two ladders to the top of the van. Racks easily adjust for ladders of different sizes.

#### PROMASTER CITY GRIP-LOCK RACK FEATURES AND BENEFITS

- Heavy-Duty actuating arm firmly grips ladder rungs to prevent shifting of ladder on rack.
- Gripping mechanism is lockable.
- Composite extrusions on front and rear crossbows and uprights protect ladders.
- Rung grips easily adjust to accommodate different types of ladders.
- Features an all aluminum design with a natural aluminum finish.
- There are no straps to deal with, clamping of ladder is automatic.
- Accommodates up to a 24 ft. extension ladder.
- To carry a 6 ft. step ladder, order **1BPMCGL**.



MODEL	DESCRIPTION
61-PMC	Passenger Side Grip Lock Ladder Rack
63-PMC	Dual Side Grip Lock Ladder Rack
2BPMC	2-Bar Utility Rack
61TCSSUR	Utility Rack Add-On Kit

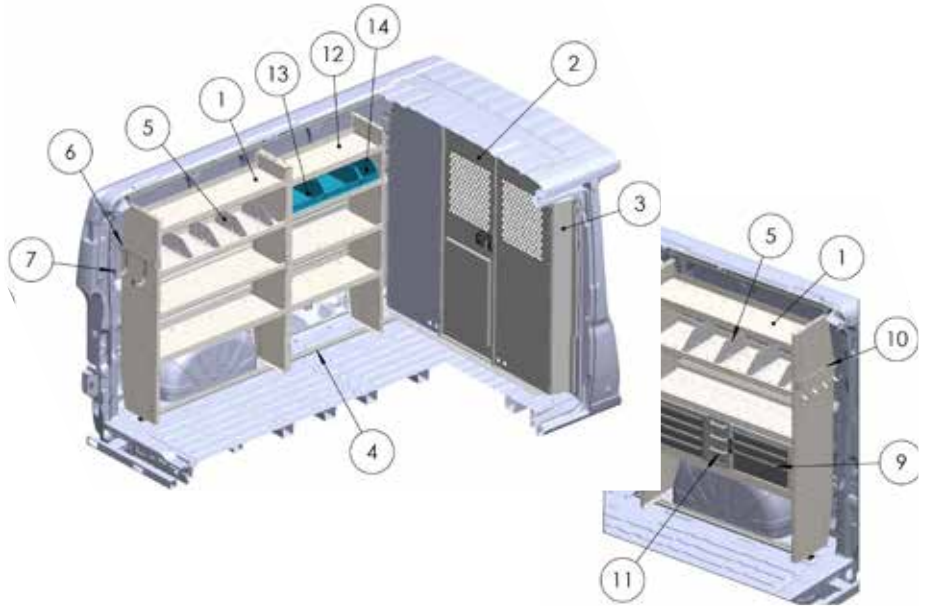


ProMaster City with a  
61-PMC Single Grip Lock Ladder  
Rack and a 61TCSSUR  
Utility Rack Add-On Kit



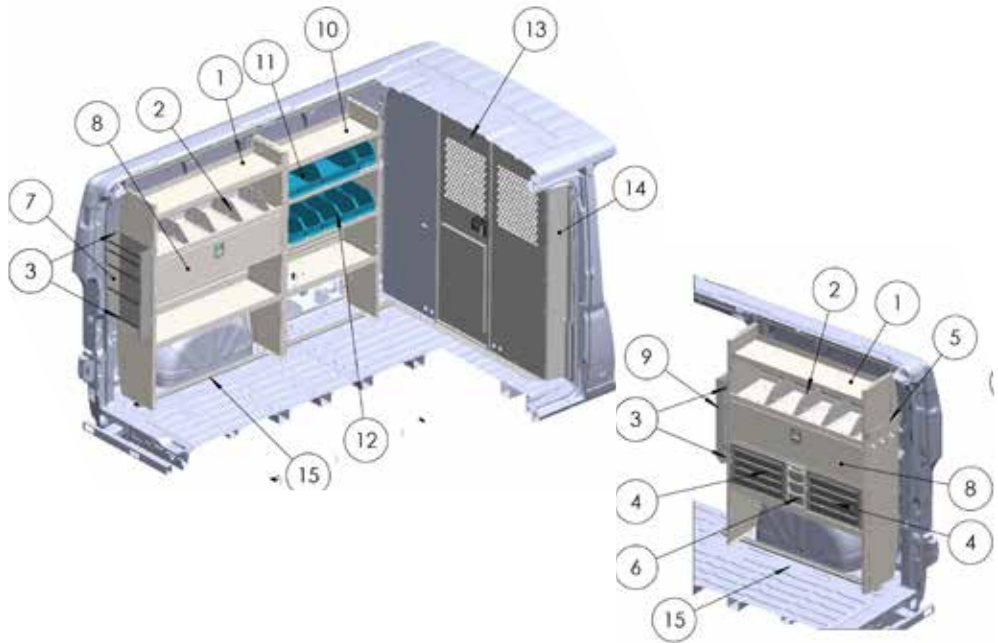
## 5462 GENERAL SERVICE STARTER PACKAGE RAM PROMASTER 118" WB

ITEM	MODEL	DESCRIPTION	QTY
1	HAD4459	Hybrid 4-Shelf Unit	2
2	S1M2HC2PM	Steel Partition Panel Kit w/ Visibility & Door Kit	1
1	S1M2HC2PM	Steel Partition Panel Kit w/ Visibility & Door Kit	1
3	WKC1PM	Partition Mounting Kit	1
4	RKPM5WB	Mounting Rail Kit	1
5	DV14C8	Shelf Divider Kit	1
6	BRK14EPS	Accessory Mounting Bracket for End Panels	1
1	DC6	3-Drawer Unit	1
7	UH50	Utility Hook	2
8	9	4-Drawer Unit w/ Lock	1
9	919	3-Drawer Unit w/ Lock	1
10	TA1WAD	4-Hook Bar w/ End Panel Adapter	1
11	DC6	3-Drawer Unit	1
12	HAD3259	Hybrid 4-Shelf Unit	1
13	SBIN120614	Snap In Bin	2
14	SBIN060614	Snap in Bin	1



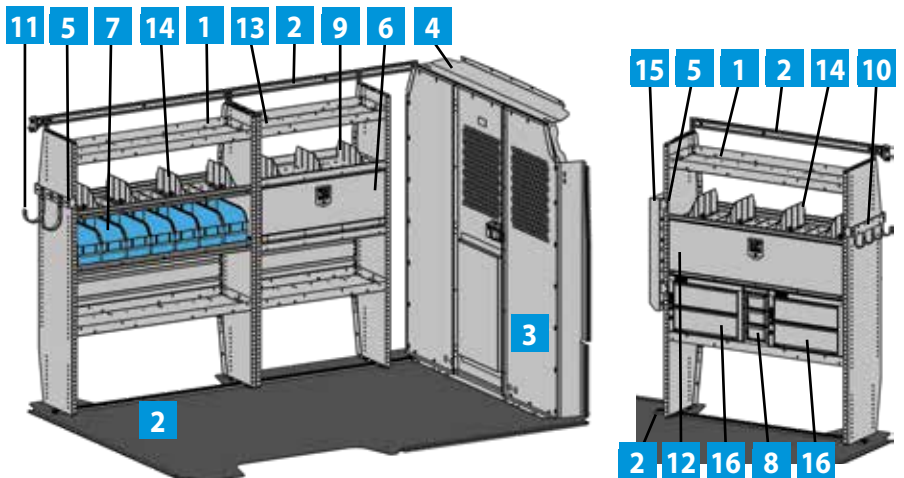
## 5463 ELECTRICAL STARTER PACKAGE RAM PROMASTER 118" WB

ITEM	MODEL	DESCRIPTION	QTY
1	HAD4459	Hybrid 4-Shelf Unit	2
2	DV14C8	Shelf Divider Kit	1
3	BRK14EPS	Accessory Mounting Bracket for End Panels	1
4	WKC1PM	Steel Partition Mounting Kit	1
4	9	4-Drawer Unit w/ Lock	2
5	TA1WAD	4-Hook Bar w/ End Panel Adapter	1
6	DC6	3-Drawer Unit	1
7	WRH5	5-Bar Spool Holder	1
8	DK4210	Door Kit	2
9	CB5	5-Slot Literature Rack	1
10	HAD3259	Hybrid 4-Shelf Unit	1
11	SBIN120614	Snap In Bin	2
12	SBIN060614	Snap In Bin	6
13	S1M2HC2PM	Steel Partition Panel Kit w/ Visibility & Door Kit	1
14	WKC1PM	Partition Mounting Kit	1
15	RKPM5WB	Mounting Rail Kit	1



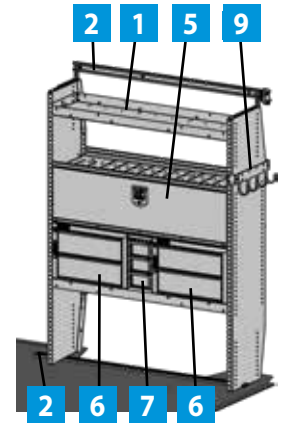
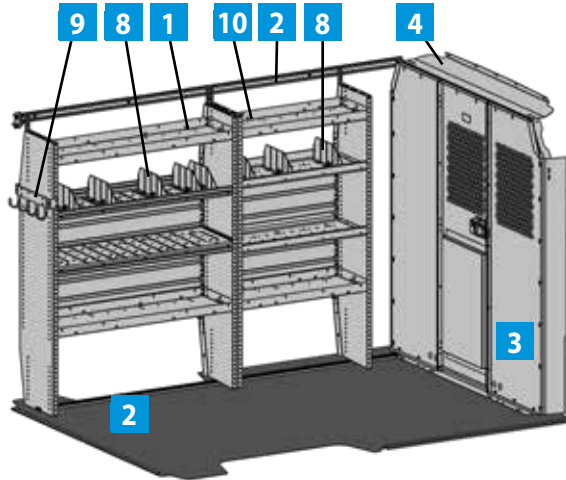
## 5464 SECURITY STARTER PACKAGE RAM PROMASTER 118" WB

ITEM	MODEL	DESCRIPTION	QTY
1	HAD4459	Hybrid 4-Shelf Unit	2
2	RKPM5WB	Mounting Rail Kit	1
3	S1M2HC2PM	Steel Partition Panel Kit w/ Visibility & Door Kit	1
4	WKC1PM	Steel Partition Mounting Kit	1
5	BRK14EPS	End Panel Mounting Bracket	3
6	DK3010	Door Kit	1
7	BR76012	Bin Set for Adjustable Shelving	1
8	DC6	3-Drawer Unit	1
9	DV14C1	Shelf Divider	4
10	TA1WAD	4-Hook Bar w/ Adapter	1
11	UH50	Utility Hook	2
12	DK4210	Door Kit w/ Open Back	1
13	HAD3259	Hybrid 4-Shelf Unit	1
14	DV14C8	14" Shelf Dividers	1
15	CB5	5-Slot Literature Rack	1
16	19	2-Drawer Unit w/ Lock	2



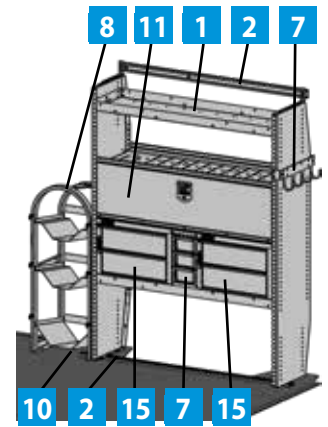
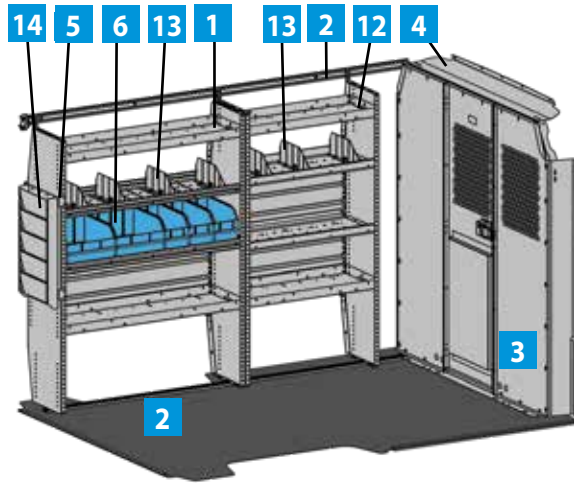
**5465  
SATELLITE INSTALLATION STARTER PACKAGE  
RAM PROMASTER 118" WB**

ITEM	MODEL	DESCRIPTION	QTY
1	HAD4459	Hybrid 4-Shelf Unit	2
2	RKPM5WB	Mounting Rail Kit	1
3	S1M2HC2PM	Steel Partition Panel Kit w/ Visibility & Door Kit	1
4	WKC1PM	Steel Partition Mounting Kit	1
5	DK4210	Door Kit w/ Open Back	1
6	19	2-Drawer Unit w/ Lock	2
7	DC6	3-Drawer Unit	1
8	DV14C8	14" Shelf Dividers	1
9	TA1WAD	3 Hook Bar	2
10	HAD3259	Hybrid Shelf Unit 32"	1



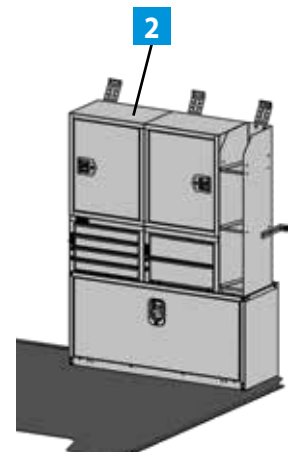
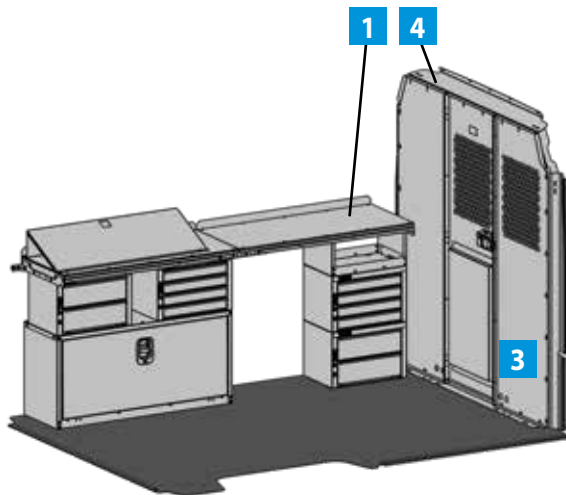
**5466  
HVAC STARTER PACKAGE  
RAM PROMASTER 118" WB**

ITEM	MODEL	DESCRIPTION	QTY
1	HAD4459	Hybrid 4-Shelf Unit	2
2	RKPM5WB	Mounting Rail Kit	1
3	S1M2HC2PM	Steel Partition Panel Kit w/ Visibility & Door Kit	1
4	WKC1PM	Steel Partition Mounting Kit	1
5	BRK14EPS	End Panel Mounting Bracket	2
6	BR36212	Bin Set for Adjustable Shelving	1
7	DC6	3-Drawer Unit	1
8	WTR230150	Welded Tank Rack	1
9	TA1WAD	4-Hook Bar w/ Adapter	1
10	RKAWTR	Welded Tank Rack Rail Adapter	1
11	DK4210	Door Kit w/ Open Back	1
12	HAD3259	Hybrid 4-Shelf Unit	1
13	DV14C8	14" Shelf Dividers	1
14	CB5	5-Slot Literature Rack	1
15	19	2-Drawer Unit w/ Lock	2



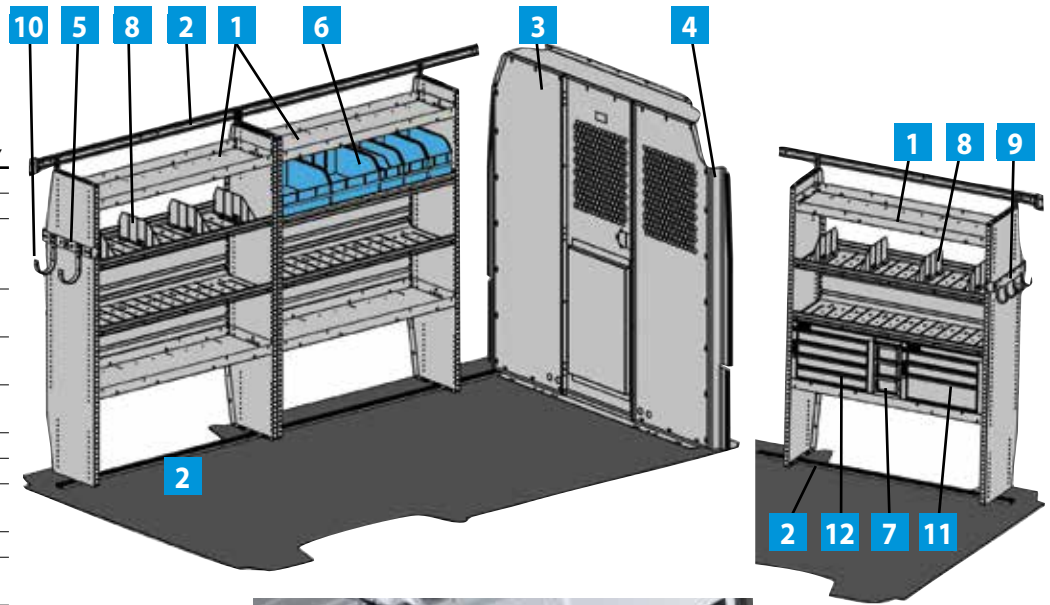
**5467  
LOCKSMITH STARTER PACKAGE  
RAM PROMASTER 118" WB**

ITEM	MODEL	DESCRIPTION	QTY
1	MD608PM	Workbench Module	1
2	MD506PM	Drawer Module	1
3	S1M2HC2PM	Steel Partition Panel Kit w/ Visibility & Door Kit	1
4	WKC1PM	Steel Partition Mounting Kit	1



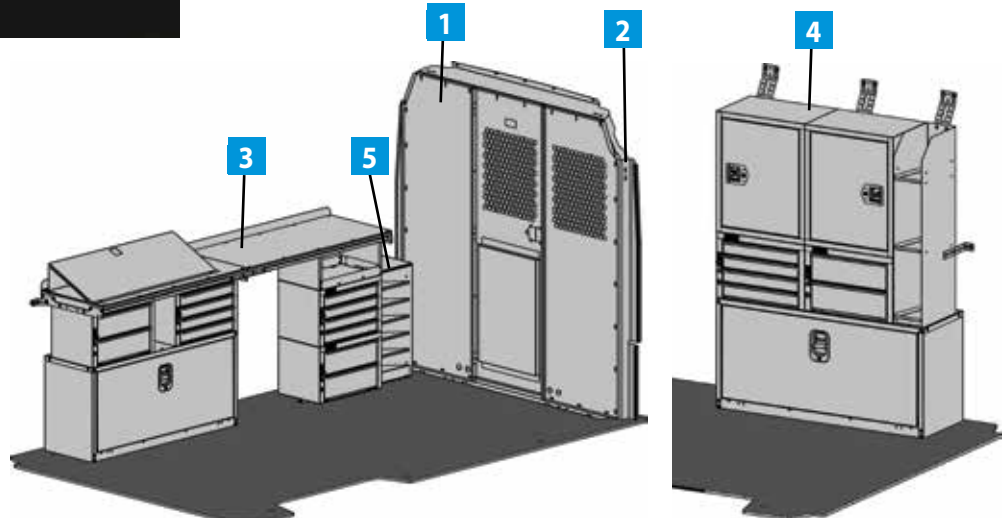
**5180  
GENERAL SERVICE  
STARTER PACKAGE  
RAM PROMASTER 136" WB**

ITEM	MODEL	DESCRIPTION	QTY
1	HAD4459	Hybrid 4-Shelf Unit	3
2	RKPMWMB	Mounting Rail Kit	1
3	S1M2HC2PM	Steel Partition Panel Kit w/ Visibility & Door Kit	1
4	WKC1PM	Steel Partition Mounting Kit	1
5	BRK14EPS	End Panel Mounting Bracket	1
6	BR36212	Bin Set for Adjustable Shelving	1
7	DC6	3-Drawer Unit	1
8	DV14C8	14" Shelf Dividers	1
9	TA1WAD	4-Hook Bar w/ Adapter	1
10	UH50	Utility Hook	2
11	919	3-Drawer Unit w/ Lock	1
12	9	4-Drawer Unit w/ Lock	1



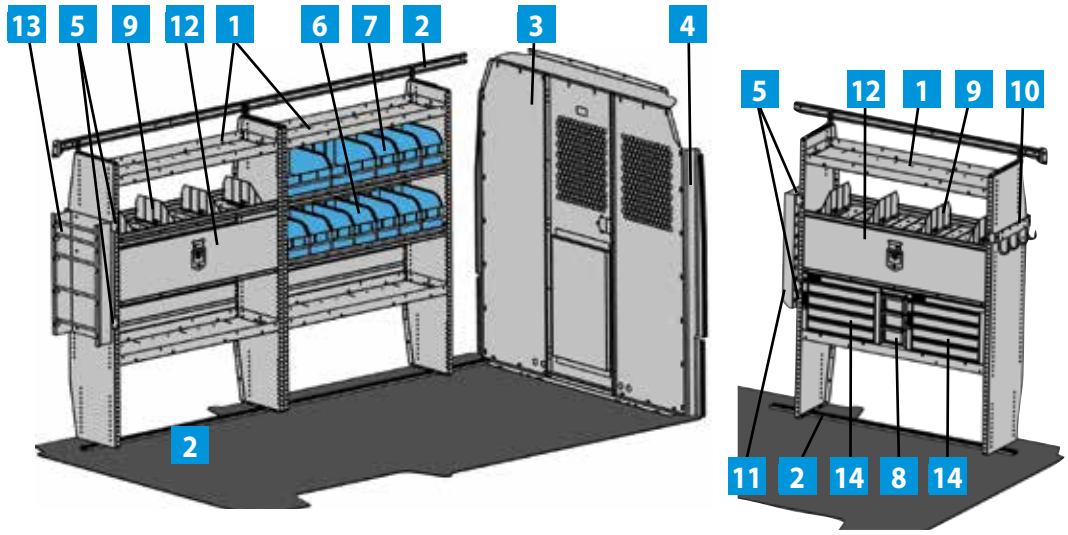
**5274  
LOCKSMITH STARTER  
PACKAGE  
RAM PROMASTER 136" WB AND  
RAM PROMASTER 159" WB**

ITEM	MODEL	DESCRIPTION	QTY
1	S1M2HC2PM	Steel Partition Panel Kit w/ Visibility & Door Kit	1
2	WKC1PM	Steel Partition Mounting Kit	1
3	MD608PM	84" Workbench Module	1
4	MD506PM	Drawer Module	1
5	17A	6-Shelf Catalog File	1



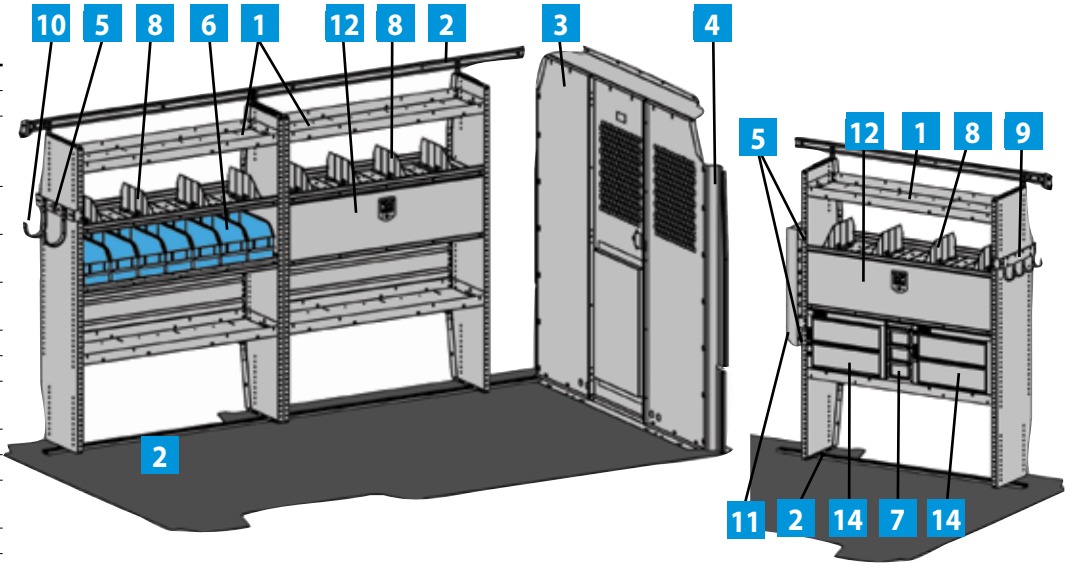
**5181  
ELECTRICAL STARTER PACKAGE  
RAM PROMASTER 136" WB**

ITEM	MODEL	DESCRIPTION	QTY
1	HAD4459	Hybrid 4-Shelf Unit	3
2	RKPMMWB	Mounting Rail Kit	1
3	S1M2HC2PM	Steel Partition Panel Kit w/ Visibility & Door Kit	1
4	WKC1PM	Steel Partition Mounting Kit	1
5	BRK14EPS	End Panel Mounting Bracket	4
6	BR76012	Bin Set for Adjustable Shelving	1
7	BR36212	Bin Set for Adjustable Shelving	1
8	DC6	3-Drawer Unit	1
9	DV14C8	14" Shelf Dividers	1
10	TA1WAD	4-Hook Bar w/ Adapter	1
11	CB5	5-Slot Literature Rack	1
12	DK4210	Door Kit w/ Open Back	2
13	WRH5	5-Bar Spool Holder	1
14	9	4-Drawer Unit w/ Lock	2



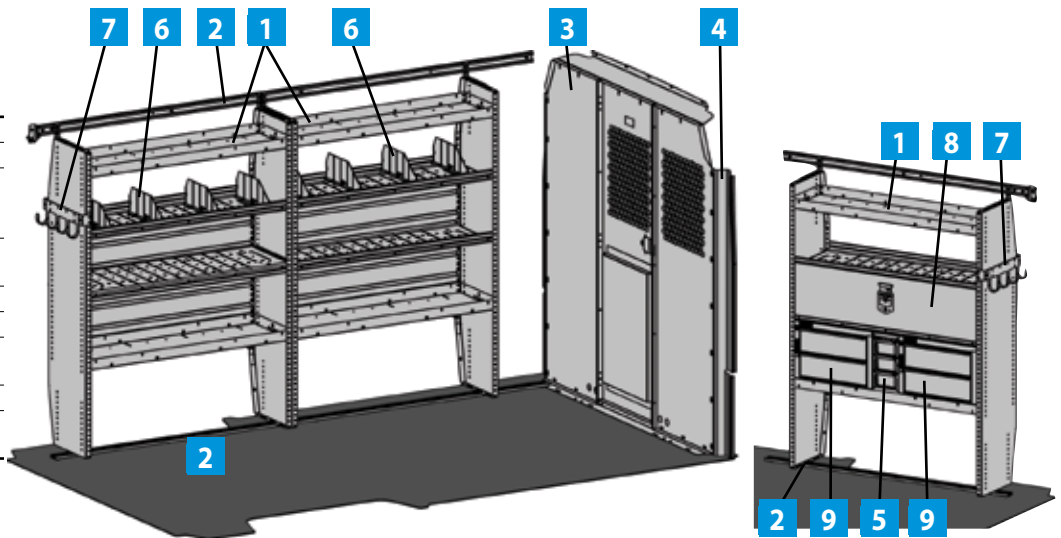
**5182  
SECURITY STARTER PACKAGE  
RAM PROMASTER 136" WB**

ITEM	MODEL	DESCRIPTION	QTY
1	HAD4459	Hybrid 4-Shelf Unit	3
2	RKPMMWB	Mounting Rail Kit	1
3	S1M2HC2PM	Steel Partition Panel Kit w/ Visibility & Door Kit	1
4	WKC1PM	Steel Partition Mounting Kit	1
5	BRK14EPS	End Panel Mounting Bracket	3
6	BR76012	Bin Set for Adjustable Shelving	1
7	DC6	3-Drawer Unit	1
8	DV14C8	14" Shelf Dividers	1
9	TA1WAD	4-Hook Bar w/ Adapter	1
10	UH50	Utility Hook	2
11	CB5	5-Slot Literature Rack	1
12	DK4210	Door Kit w/ Open Back	2
13	DV14C1	Shelf Divider	4
14	19	2-Drawer Unit w/ Lock	2



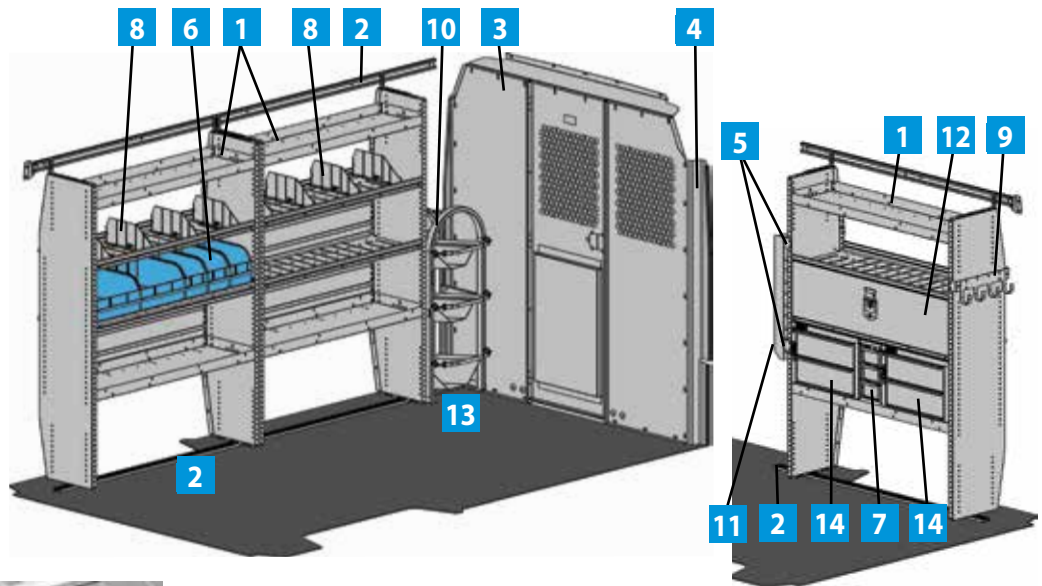
### 5183 SATELLITE INSTALLATION STARTER PACKAGE RAM PROMASTER 136" WB

ITEM	MODEL	DESCRIPTION	QTY
1	HAD4459	Hybrid 4-Shelf Unit	3
2	RKPMWMB	Mounting Rail Kit	1
3	S1M2HC2PM	Steel Partition Panel Kit w/ Visibility & Door Kit	1
4	WKC1PM	Steel Partition Mounting Kit	1
5	DC6	3-Drawer Unit	1
6	DV14C8	14" Shelf Dividers	1
7	TA1WAD	4-Hook Bar w/ Adapter	2
8	DK4210	Door Kit	1
9	19	2-Drawer Unit w/ Lock	2



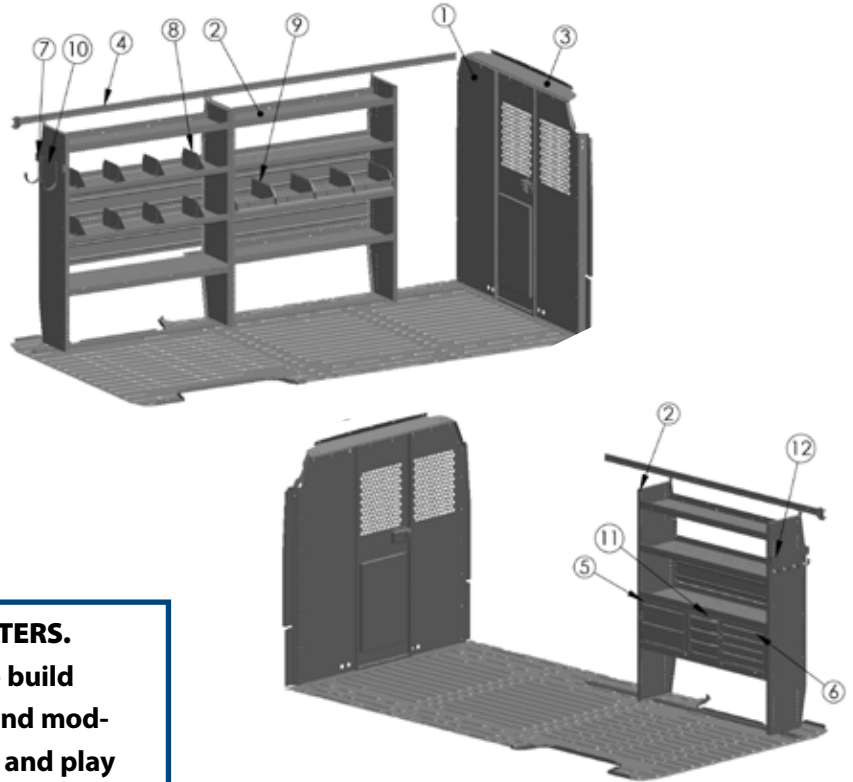
### 5184 HVAC STARTER PACKAGE RAM PROMASTER 136" WB

ITEM	MODEL	DESCRIPTION	QTY
1	HAD4459	Hybrid 4-Shelf Unit	3
2	RKPMWMB	Mounting Rail Kit	1
3	S1M2HC2PM	Steel Partition Panel Kit w/ Visibility & Door Kit	1
4	WKC1PM	Steel Partition Mounting Kit	1
5	BRK14EPS	End Panel Mounting Bracket	2
6	BR36212	Bin Set for Adjustable Shelving	1
7	DC6	3-Drawer Unit	1
8	DV14C8	14" Shelf Dividers	1
9	TA1WAD	4-Hook Bar w/ Adapter	1
10	WTR230150	Welded Tank Rack	1
11	CB5	5-Slot Literature Rack	1
12	DK4210	Door Kit w/ Open Back	1
13	RKAWTR	Tank Rack Adapter	1
14	19	2-Drawer Unit w/ Lock	2



**5185  
GENERAL SERVICE STARTER  
PACKAGE  
RAM PROMASTER 159" WB**

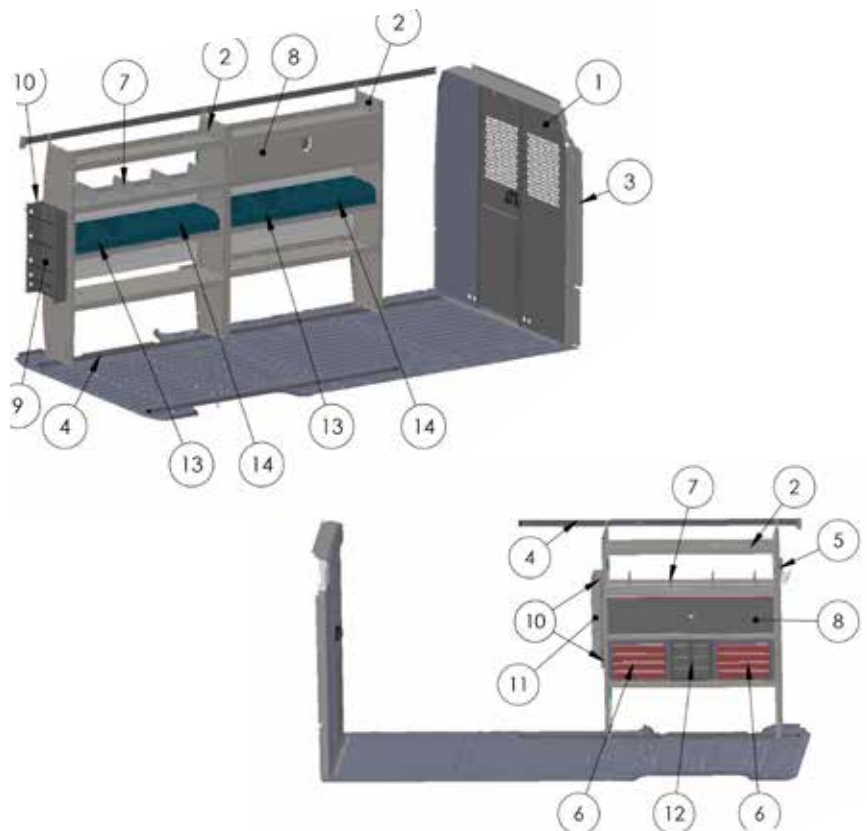
ITEM	MODEL	DESCRIPTION	QTY
1	S1M2HC2PM	Steel Partition Panel Kit w/ Visibility & Door Kit	1
2	HAD5059	Hybrid 4-Shelf Unit	3
3	WKC1PM	Steel Partition Mounting Kit	1
4	RKPMLWB	Mounting Rail Kit	1
5	19	2-Drawer Unit w/ Lock	1
6	9	4-Drawer Unit w/ Lock	1
7	UH50	Utility Hook	2
8	DV14C1	Shelf Divider	8
9	SBIN120614	Snap In Bin	4
10	BRK14EPS	Accessory Mounting Bracket for End Panels	1
11	DC12	3-Drawer Unit	1
12	TA1WAD	4-Hook Bar w/ End Panel Adapter	1



**TRADE PACKAGES ARE THOUGHT STARTERS.**  
Use these packages as a starting point to build your own interior using the accessories and modules shown in this catalog. With our plug and play shelves and accessories, it is easy to customize your storage options.

**5186  
ELECTRICAL STARTER PACKAGE  
RAM PROMASTER 159" WB**

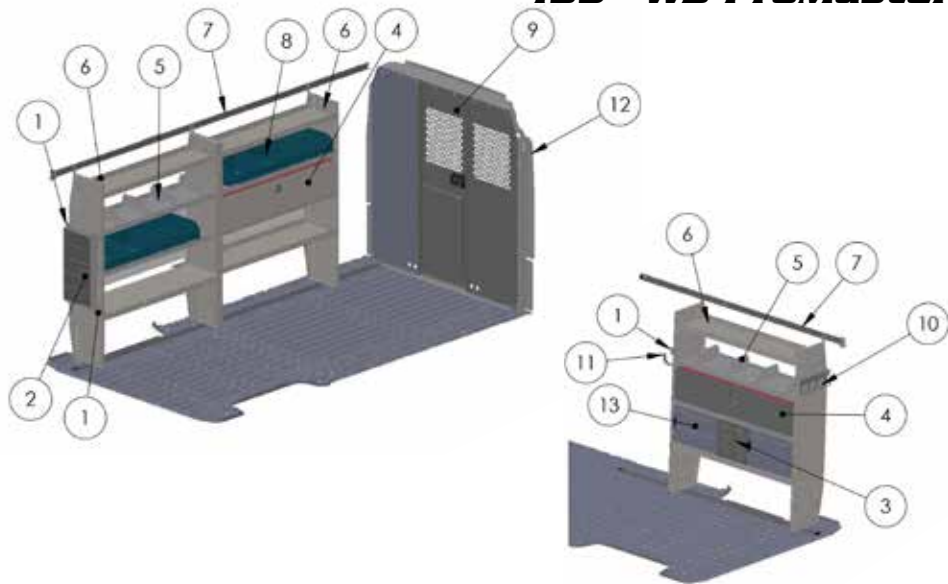
ITEM	MODEL	DESCRIPTION	QTY
1	S1M2HC2PM	Steel Partition Panel Kit w/ Visibility & Door Kit	1
2	HAD5059	Hybrid 4-Shelf Unit	3
3	WKC1PM	Steel Partition Mounting Kit	1
4	RKPMLWB	Mounting Rail Kit	1
5	TA1WAD	4-Hook Bar w/ End Panel Adapter	1
6	9	4-Drawer Unit w/ Lock	2
7	DV14C8	Shelf Divider Kit	1
8	DK4810	Door Kit	2
9	WRH5	5-Bar Spool Holder	1
10	BRK145EPS	Accessory Mounting Bracket for End Panels	1
4	TA1WAD	4-Hook Bar w/ Adapter	1
11	CB5	5-Slot Literature Rack	1
12	DC6	3-Drawer Unit	2
13	SBIN120614	Snap In Bin	4
14	SBIN060614	Snap In Bin	8



## 5187 SECURITY STARTER PACKAGE

### RAM PROMASTER 159" WB

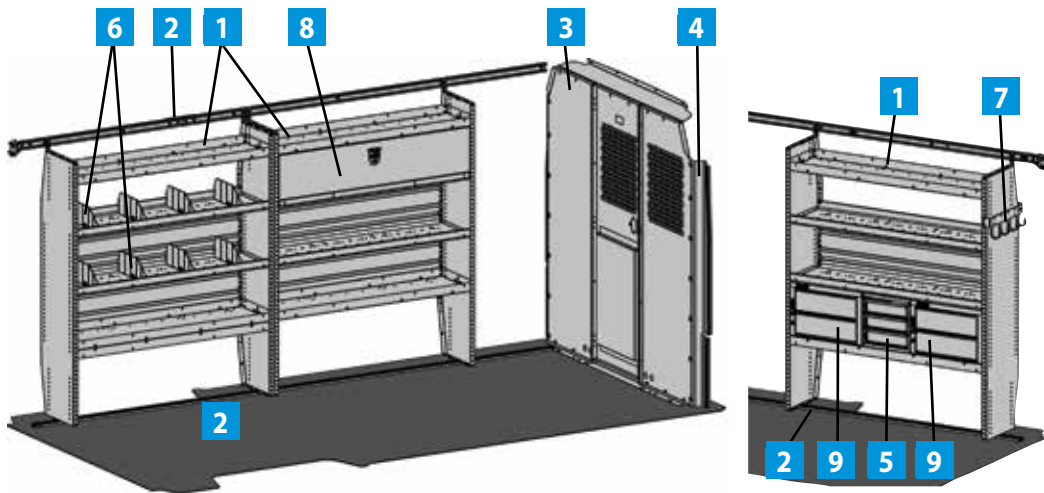
ITEM	MODEL	DESCRIPTION	QTY
1	BRK14EPS	Accessory Mounting Bracket for End Panels	3
3	RKPMLWB	Mounting Rail Kit	1
2	CB5	5-Slot Literature Rack	1
3	DC6	3-Drawer Unit	2
4	DK4810	Door Kit	2
5	DV14C1	Shelf Divider	12
6	HAD5059	Hybrid 4-Shelf Unit	3
7	RKPMLWB	Mounting Rail Kit	1
8	SBIN120614	Snap In Bin	8
9	S1M2HC2PM	Steel Partition Panel Kit w/ Visibility & Door Kit	1
1	UH50	Utility Hook	2
10	TA1WAD	4-Hook Bar w/ End Panel Adapter	1
1	DK4810	Door Kit	2
11	UH50	Utility Hook	2
12	WKC1PM	Steel Partition Mounting Kit	1
13	19	2-Drawer Unit w/ Lock	2



## 5188 SATELLITE INSTALLATION STARTER PACKAGE

### RAM PROMASTER 159" WB

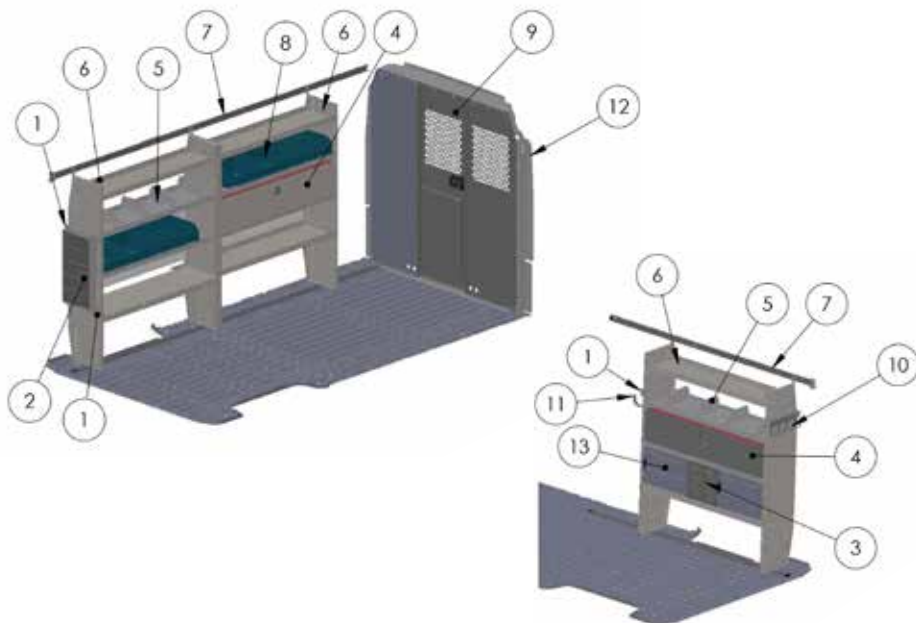
ITEM	MODEL	DESCRIPTION	QTY
1	HAD5059	ADseries Shelf Unit 50"	3
2	RKPMLWB	Mounting Rail Kit	1
3	S1M2HC2PM	Steel Partition Panel Kit w/ Visibility & Door Kit	1
4	WKC1PM	Steel Partition Mounting Kit	1
5	DC12	3-Drawer Unit	1
6	DV14C8	14" Shelf Dividers	1
7	TA1WAD	4-Hook Bar w/ Adapter	1
8	DK4810	Door Kit	1
9	19	2-Drawer Unit w/ Lock	2



## 5189 HVAC STARTER PACKAGE

### RAM PROMASTER 159" WB

ITEM	MODEL	DESCRIPTION	QTY
1	S1M2HC2PM	Steel Partition Panel Kit w/ Visibility & Door Kit	1
2	HAD5059	Hybrid 4-Shelf Unit	3
3	WKC1PM	Steel Partition Mounting Kit	1
4	RKPMLWB	Mounting Rail Kit	1
5	TA1WAD	4-Hook Bar w/ End Panel Adapter	2
1	SBIN120614	Snap In Bin	4
6	DK4810	Door Kit	1
7	19	2-Drawer Unit w/ Lock	2
8	DV14C1	Shelf Divider	8
9	DC6	3-Drawer Unit	2
10	CB5	5-Slot Literature Rack	1
11	BRK14EPS	Accessory Mounting Bracket for End Panels	1
2	DK4810	Door Kit	1
12	SBIN120614	Snap In Bin	4
13	WTR230150	Welded Tank Rack	1
14	RKAWTR	Welded Tank Rack Rail Adapter	





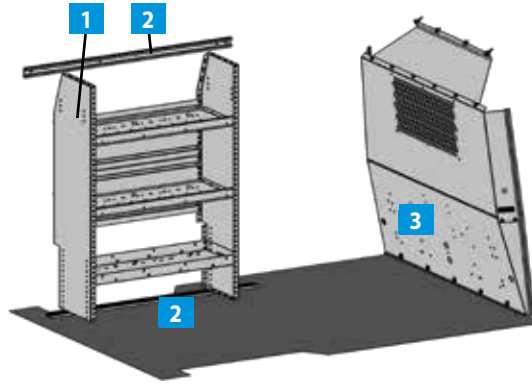
**4959PMC**

**BASE STARTER PACKAGE**

One 32" ADseries Shelf and Steel Partition

**ProMaster City**

ITEM	MODEL	DESCRIPTION	QTY
1	AD32PMC	3-Shelf Unit	1
2	RKPMC	Mounting Rail Kit	1
3	P2PMCS15	Steel Partitoin w/ Visibility	1



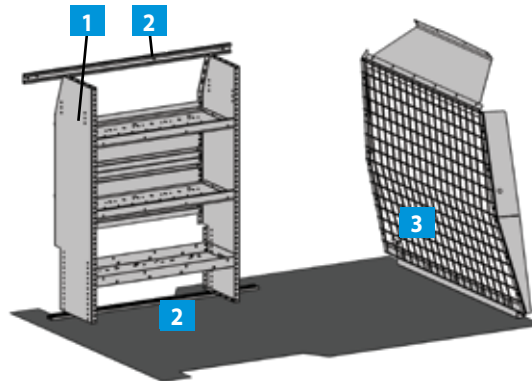
**4960PMC**

**BASE STARTER PACKAGE**

One 32" ADseries Shelf and Wire Partition

**ProMaster City**

ITEM	MODEL	DESCRIPTION	QTY
1	AD32PMC	3-Shelf Unit	1
2	RKPMC	Mounting Rail Kit	1
3	P2PMCFW15	Wire Partition	1



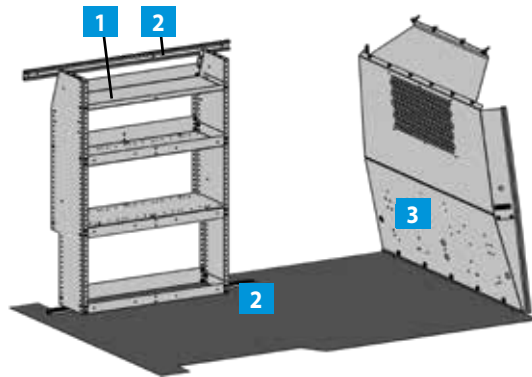
**4961PMC**

**BASE STARTER PACKAGE**

One HD Series Shelf and Steel Partition

**ProMaster City**

ITEM	MODEL	DESCRIPTION	QTY
1	HD32TC	3-Shelf Unit	1
2	RKPMC	Mounting Rail Kit	1
3	P2PMCS15	Steel Partitoin w/ Visibility	1



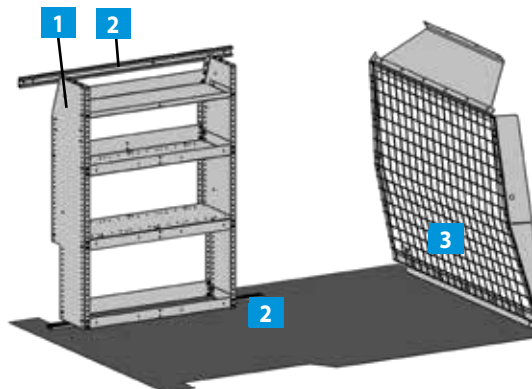
**4962PMC**

**BASE STARTER PACKAGE**

One HD Series Shelf and Wire Partition

**ProMaster City**

ITEM	MODEL	DESCRIPTION	QTY
1	HD32TC	3-Shelf Unit	1
2	RKPMC	Mounting Rail Kit	1
3	P2PMCFW15	Wire Partition	1

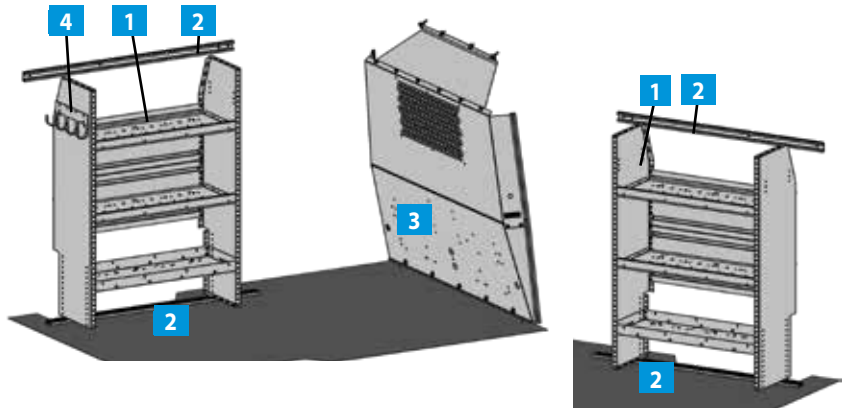


**4964PMC  
DUAL SHELF STARTER PACKAGE**

Two 32" ADseries Shelves

**ProMaster City**

ITEM	MODEL	DESCRIPTION	QTY
1	AD32PMC	3-Shelf Unit	2
2	RKPMC	Mounting Rail Kit	2
3	P2PMCS15	Steel Partoin w/ Visibility	1
4	TA1	4-Hook Bar	1

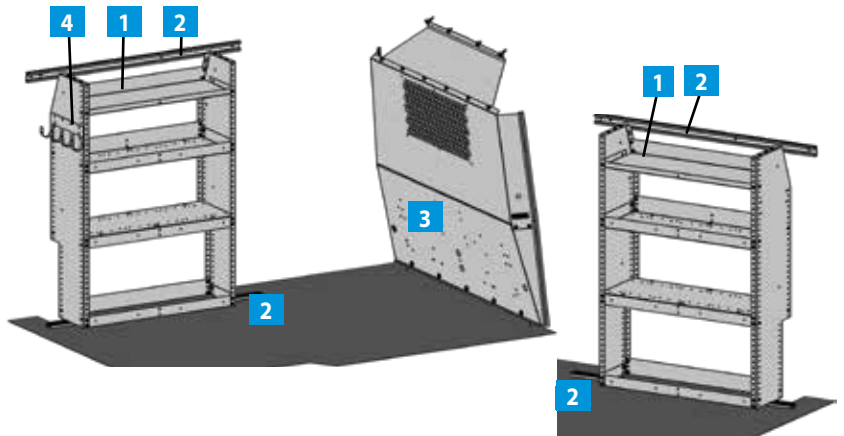


**4965PMC  
DUAL SHELF STARTER PACKAGE**

Two 32" HD Series Shelves

**ProMaster City**

ITEM	MODEL	DESCRIPTION	QTY
1	HD32TC	3-Shelf Unit	2
2	RKPMC	Mounting Rail Kit	2
3	P2PMCS15	Steel Partoin w/ Visibility	1
4	TA1	4-Hook Bar	1

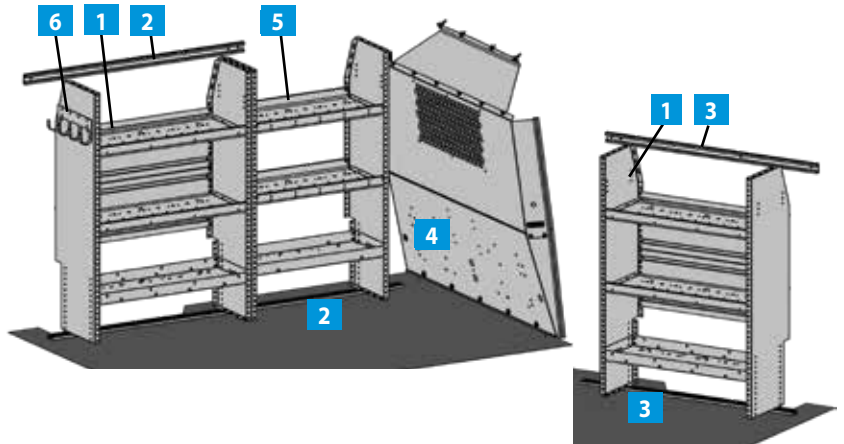


**4966PMC  
TRIPLE SHELF STARTER PACKAGE**

Two 32" & one 28" ADseries Shelves

**ProMaster City**

ITEM	MODEL	DESCRIPTION	QTY
1	AD32PMC	3-Shelf Unit	2
2	RK72PMC	Mounting Rail Kit	1
3	RKPMC	Mounting Rail Kit	1
4	P2PMCS15	Steel Partoin w/ Visibility	1
5	AD28PMC	3-Shelf Unit	1
6	TA1	4-Hook Bar	1

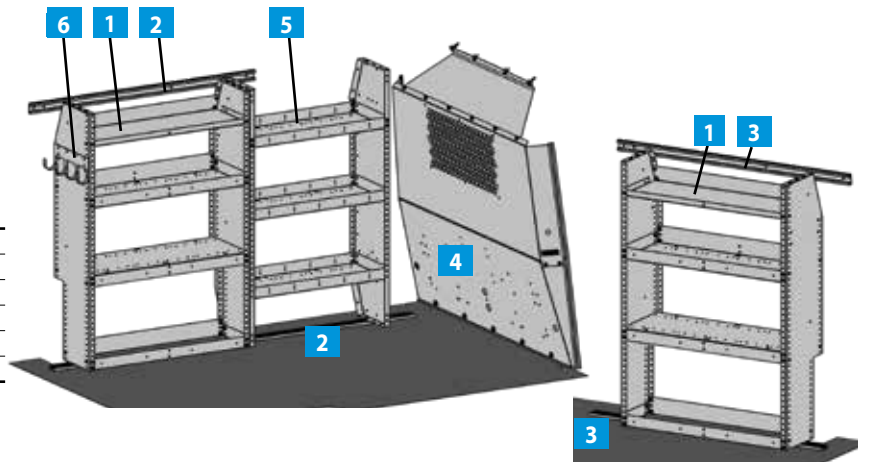


**4967PMC  
TRIPLE SHELF STARTER PACKAGE**

Two 32" & one 28" HD Series Shelves

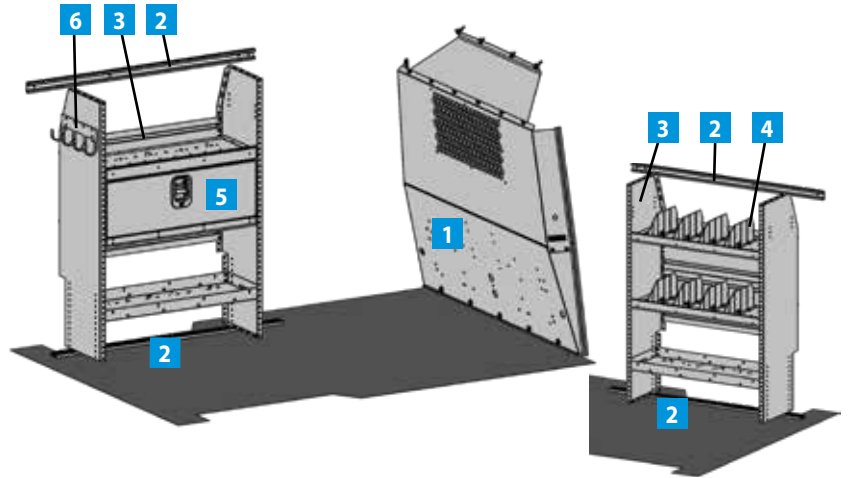
**ProMaster City**

ITEM	MODEL	DESCRIPTION	QTY
1	HD32TC	3-Shelf Unit	2
2	RK72PMC	Mounting Rail Kit	1
3	RKPMC	Mounting Rail Kit	1
4	P2PMCS15	Steel Partoin w/ Visibility	1
5	HD-28NV2	3-Shelf Unit	1
6	TA1	4-Hook Bar	1



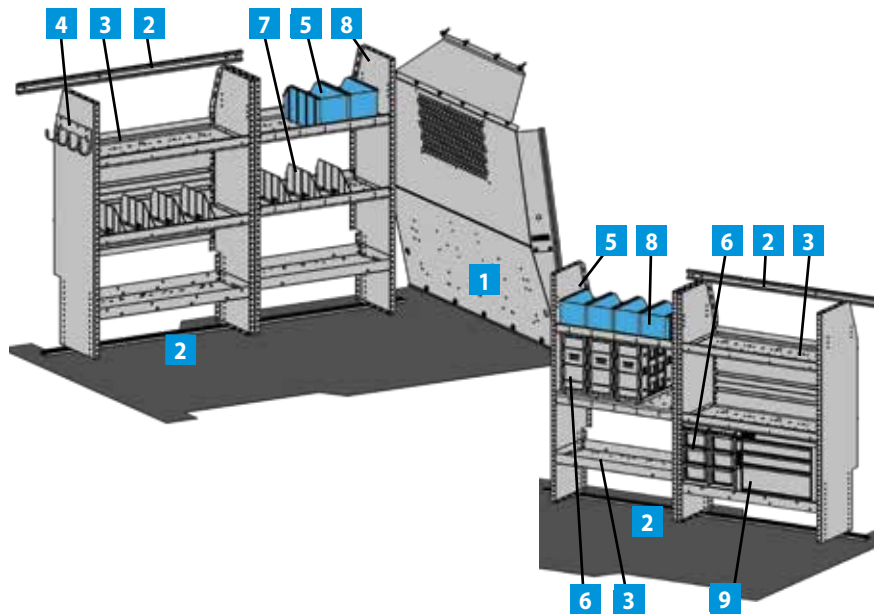
**5098PMC  
SATELLITE INSTALLATION STARTER  
PACKAGE  
ProMaster City**

ITEM	MODEL	DESCRIPTION	QTY
1	P2PMCS15	Steel Partitoin w/ Visibility	1
2	RKPMC	Mounting Rail Kit	2
3	AD32PMC	3-Shelf Unit	2
4	DV14C8	14" Shelf Dividers	1
5	DK32TC	Door Kit	1
6	TA1	4-Hook Bar	1



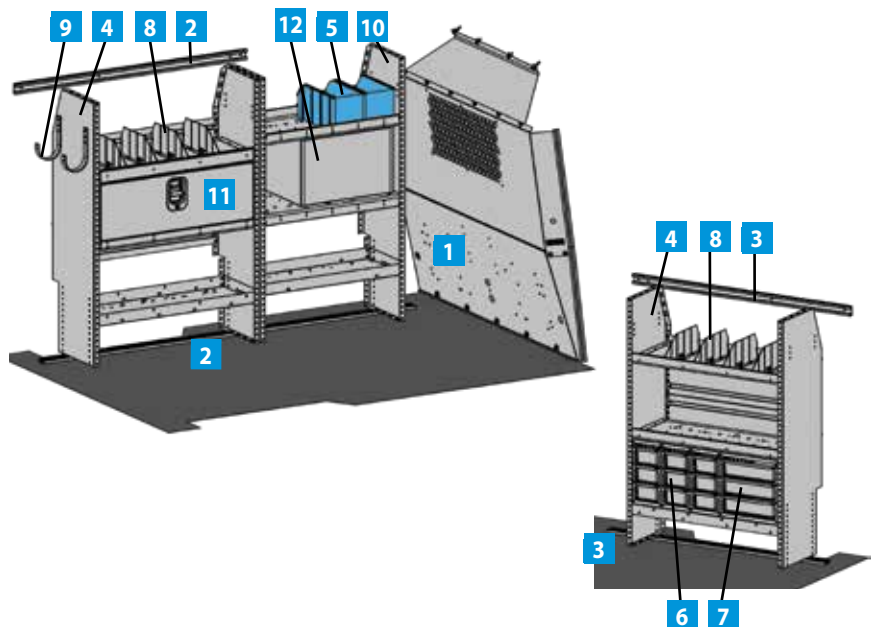
**5100PMC  
GENERAL SERVICE STARTER PACKAGE  
ProMaster City**

ITEM	MODEL	DESCRIPTION	QTY
1	P2PMCS15	Steel Partitoin w/ Visibility	1
2	RK72PMC	Mounting Rail Kit	2
3	AD32PMC	3-Shelf Unit	2
4	TA1	4-Hook Bar	1
5	SBIN060614	Snap In Bin	6
6	DC6	3-Drawer Unit	5
7	DV14C8	14" Shelf Dividers	1
8	AD28PMC	3-Shelf Unit	2
9	919	3-Drawer Unit w/ Lock	1



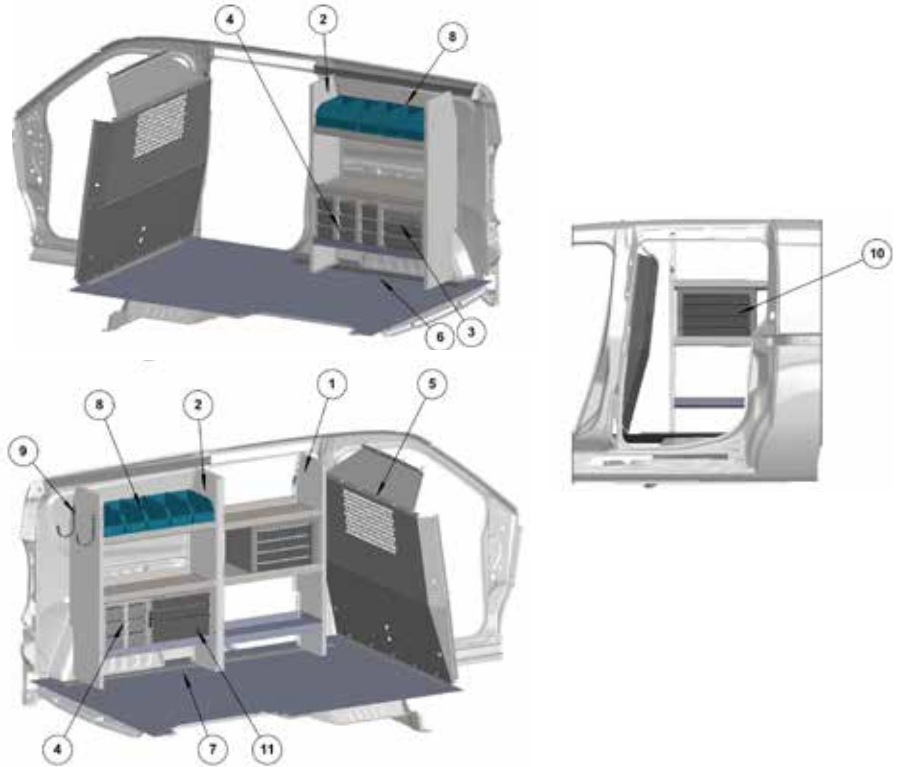
**5097PMC  
SATELLITE INSTALLATION STARTER  
PACKAGE  
ProMaster City**

ITEM	MODEL	DESCRIPTION	QTY
1	P2PMCS15	Steel Partitoin w/ Visibility	1
2	RK72PMC	Mounting Rail Kit	1
3	RKPMC	Mounting Rail Kit	1
4	AD32PMC	3-Shelf Unit	2
5	SBIN060614	Snap In Bin	2
6	DC6	3-Drawer Unit	3
7	DC12	3-Drawer Unit	1
8	DV14C8	14" Shelf Dividers	1
9	UH50	Utility Hook	2
10	AD28PMC	3-Shelf Unit	1
11	DK32TC	Door Kit	1
12	19	2-Drawer Unit w/ Lock	1



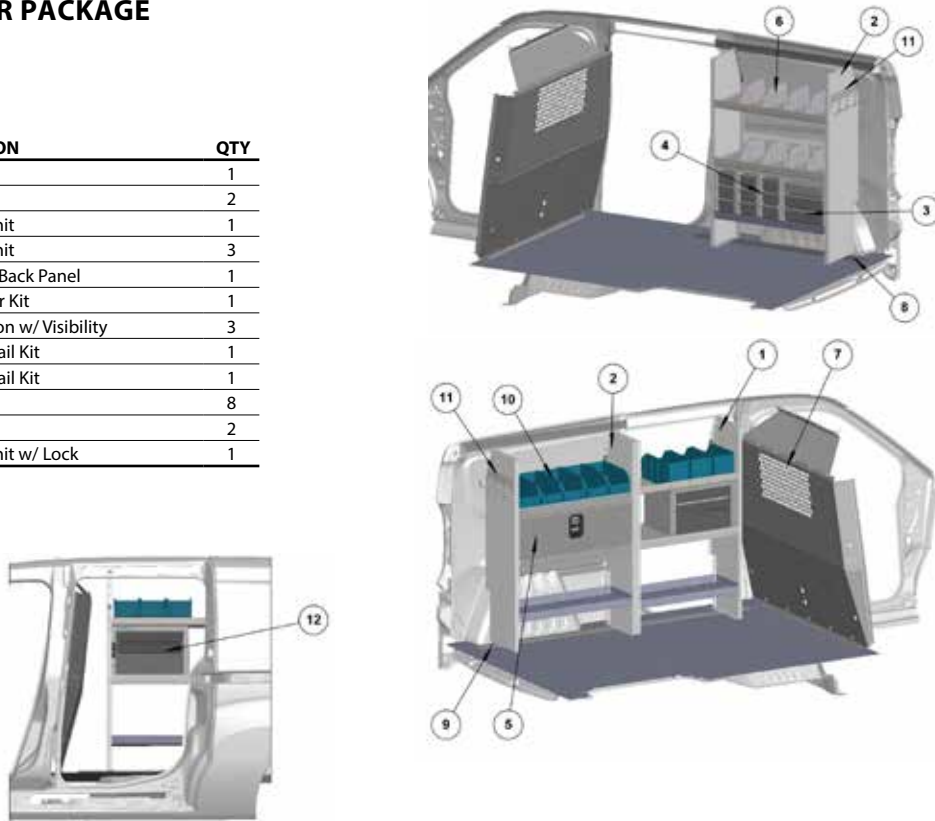
**5096PMC  
PLUMBING STARTER PACKAGE  
ProMaster City**

ITEM	MODEL	DESCRIPTION	QTY
1	AD28PMC	3-Shelf Unit	1
2	AD32PMC	3-Shelf Unit	2
3	DC12	3-Drawer Unit	1
4	DC6	3-Drawer Unit	5
5	P2PMCS15	Steel Partion w/ Visibility	1
6	RKPMC	Mounting Rail Kit	1
7	RK72PMC	Mounting Rail Kit	1
8	SBIN060614	Snap In Bin	10
9	UH50	Utility Hook	2
10	9	4-Drawer Unit w/ Lock	1
11	919	3-Drawer Unit w/ Lock	1



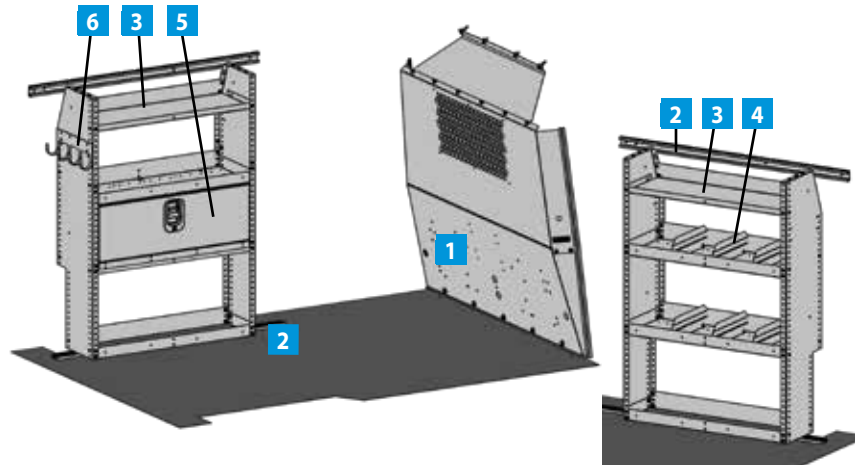
**5099PMC  
ELECTRICAL STARTER PACKAGE  
ProMaster City**

ITEM	MODEL	DESCRIPTION	QTY
1	AD28PMC	3-Shelf Unit	1
2	AD32PMC	3-Shelf Unit	2
3	DC12	3-Drawer Unit	1
4	DC6	3-Drawer Unit	3
5	DK32TC	Door Kit w/ Back Panel	1
6	DV14C8	Shelf Divider Kit	1
7	P2PMCS15	Steel Partion w/ Visibility	3
8	RKPMC	Mounting Rail Kit	1
9	RK72PMC	Mounting Rail Kit	1
10	SBIN060614	Snap In Bin	8
11	TA1	4-Hook Bar	2
12	919	3-Drawer Unit w/ Lock	1



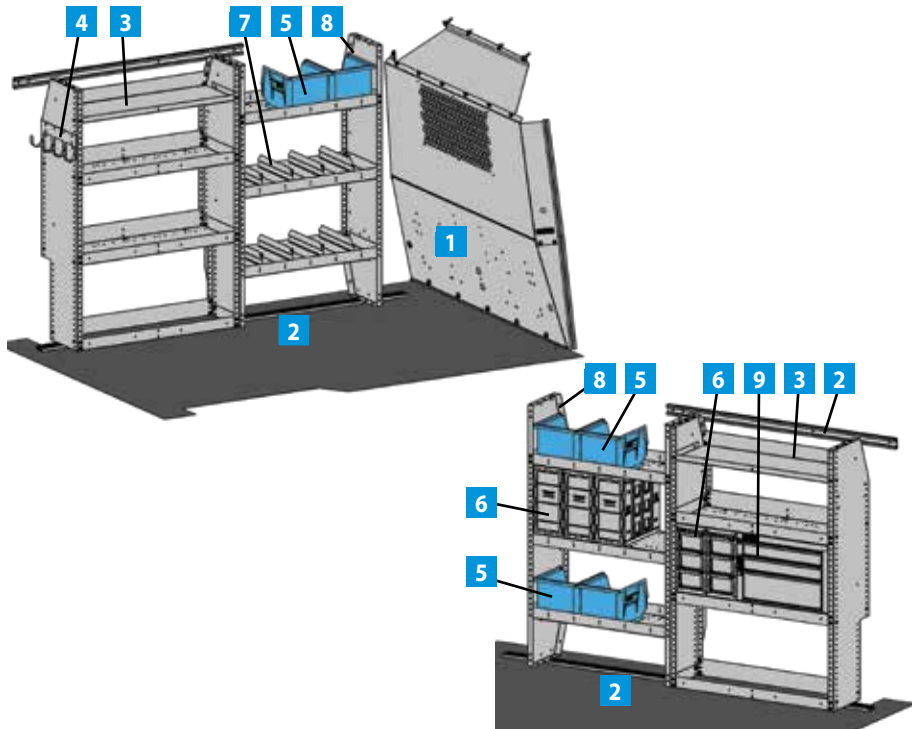
**5082PMC  
COMMERCIAL STARTER PACKAGE  
ProMaster City**

ITEM	MODEL	DESCRIPTION	QTY
1	P2PMCS15	Steel Partitoin w/ Visibility	1
2	RKPMC	Mounting Rail Kit	2
3	HD32TC	3-Shelf Unit	2
4	DV12	Shelf Divider	6
5	DK32TC	Door Kit	1
6	TA1	4-Hook Bar	1



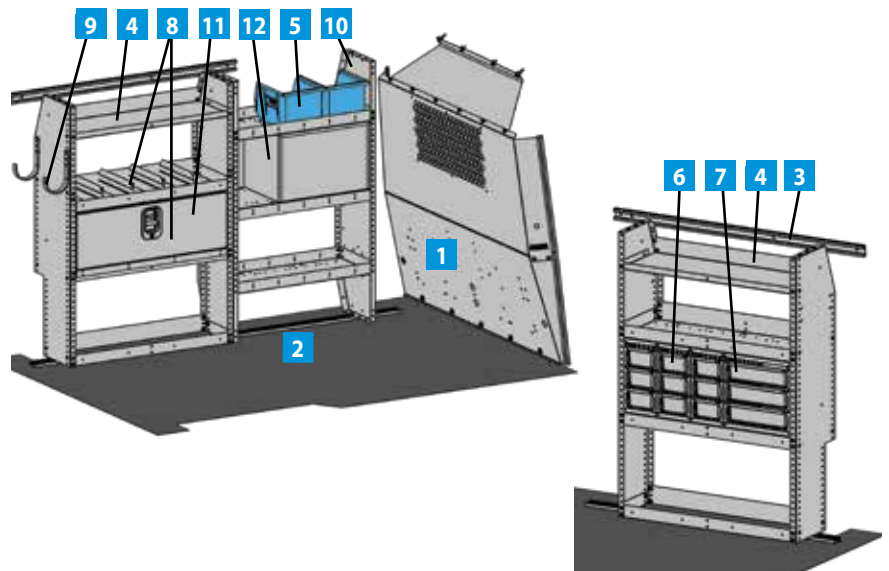
**5084PMC  
GENERAL SERVICE STARTER PACKAGE  
ProMaster City**

ITEM	MODEL	DESCRIPTION	QTY
1	P2PMCS15	Steel Partitoin w/ Visibility	1
2	RK72PMC	Mounting Rail Kit	2
3	HD32TC	3-Shelf Unit	2
4	TA1	4-Hook Bar	1
5	28	Parts Bin	6
6	DC6	3-Drawer Unit	5
7	DV12	Shelf Divider	8
8	HD-28NV2	3-Shelf Unit	2
9	919	3-Drawer Unit w/ Lock	1



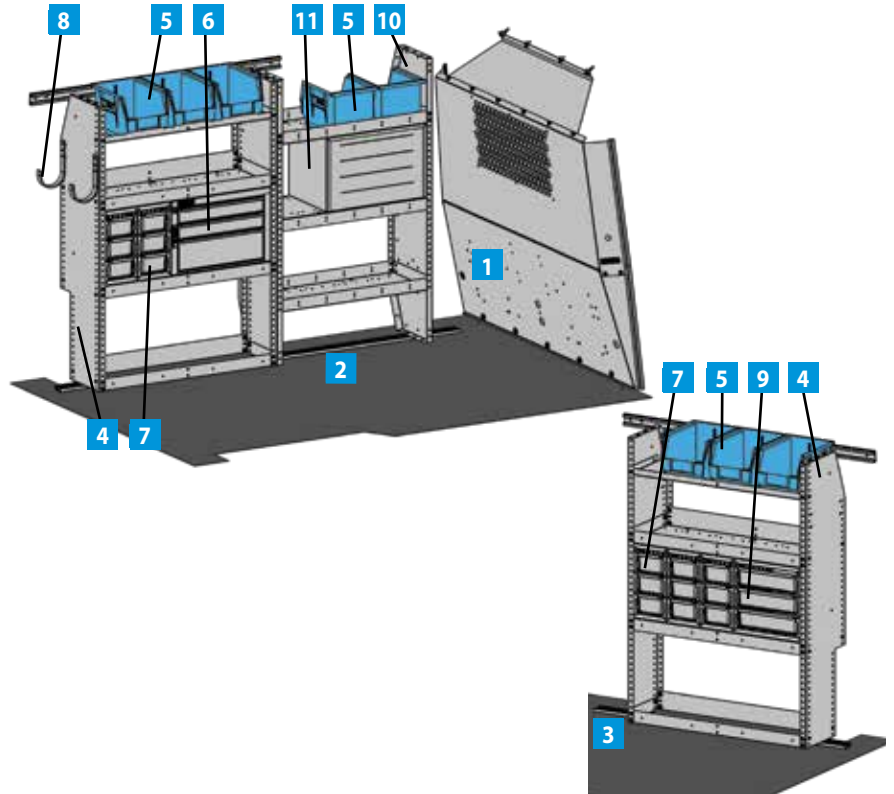
**5081PMC  
SATELLITE INSTALLATION STARTER  
PACKAGE  
ProMaster City**

ITEM	MODEL	DESCRIPTION	QTY
1	P2PMCS15	Steel Partitoin w/ Visibility	1
2	RK72PMC	Mounting Rail Kit	1
3	RKPMC	Mounting Rail Kit	1
4	HD32TC	3-Shelf Unit	2
5	28	Parts Bin	2
6	DC6	3-Drawer Unit	3
7	DC12	3-Drawer Unit	1
8	DV12	Shelf Divider	8
9	UH50	Utility Hook	2
10	HD-28NV2	3-Shelf Unit	1
11	DK32TC	Door Kit	1
12	19	2-Drawer Unit w/ Lock	1



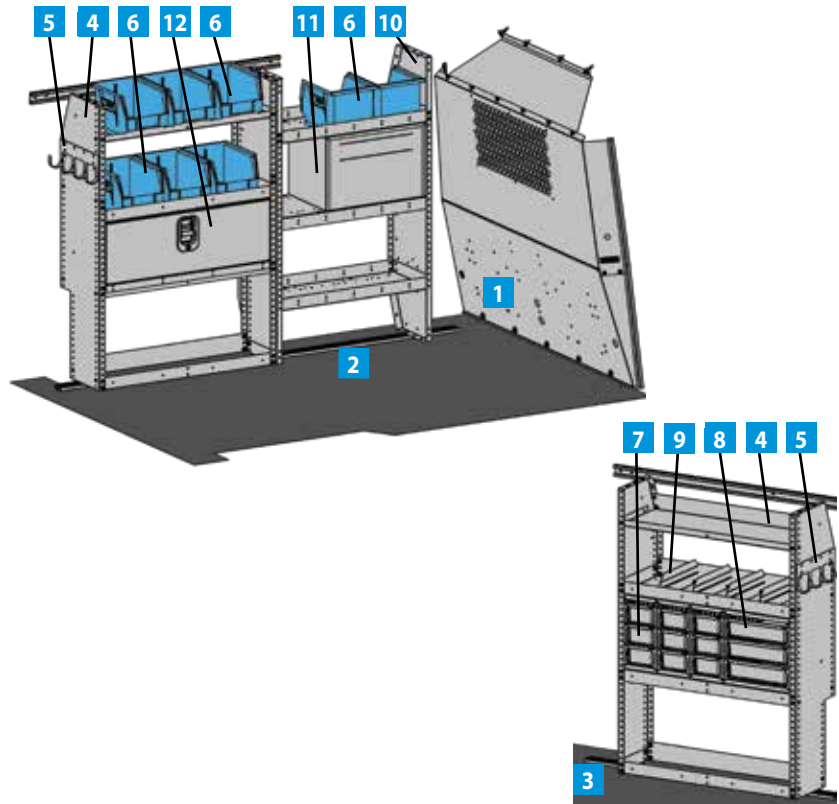
### 5080PMC PLUMBING STARTER PACKAGE ProMaster City

ITEM	MODEL	DESCRIPTION	QTY
1	P2PMCS15	Steel Partitoin w/ Visibility	1
2	RK72PMC	Mounting Rail Kit	1
3	RKPMC	Mounting Rail Kit	1
4	HD32TC	3-Shelf Unit	2
5	28	Parts Bin	8
6	919	3-Drawer Unit w/ Lock	1
7	DC6	3-Drawer Unit	5
8	UH50	Utility Hook	2
9	DC12	3-Drawer Unit	1
10	HD-28NV2	3-Shelf Unit	1
11	9	4-Drawer Unit w/ Lock	1



### 5083PMC ELECTRICAL STARTER PACKAGE ProMaster City

ITEM	MODEL	DESCRIPTION	QTY
1	P2PMCS15	Steel Partitoin w/ Visibility	1
2	RK72PMC	Mounting Rail Kit	1
3	RKPMC	Mounting Rail Kit	1
4	HD32TC	3-Shelf Unit	2
5	TA1	4-Hook Bar	2
6	28	Parts Bin	8
7	DC6	3-Drawer Unit	3
8	DC12	3-Drawer Unit	1
9	DV12	Shelf Divider	4
10	HD-28NV2	3-Shelf Unit	1
11	919	3-Drawer Unit w/ Lock	1
12	DK32TC	Door Kit	1









## Partitions

Accessories	5
ProMaster	4
ProMaster City	5

## Racks

Grip-Lock	15
Interior Ladder Rack	14
LoadsRite	13
Utility	14

## Shelving

Adjustable	6
ADseries	7

## Trade Packages - ProMaster 118" WB

Cable	17
Electrical	16
General Service	16
Locksmith	17
Security	16
HVAC	17

## Trade Packages - ProMaster 136" WB

Cable	21
Electrical	19
General Service	18
Locksmith	18
Security	20
HVAC	21

## Trade Packages - ProMaster 159" WB

Cable	23
Electrical	22
General Service	22
Locksmith	18
Security	23
HVAC	23

## Trade Packages - ProMaster City

### ADseries Packages

Base Packages	24
Commercial Shelving	26
Electrical Contractor	27
General Service	26
Plumbing	27
Shelving Packages	25
Telecommunications	26

### HD Series Packages

Base Packages	24
Commercial Shelving	28
Electrical Contractor	29
General Service	28
Plumbing	29
Shelving Packages	25
Telecommunications	28

Parts Bins	10
Cabinet Modules	8
Center Console Desk	4
Drawer Units	9
Files - Literature	10
Floor Drawers	10
Portable Parts Cases	12
Reel Holders	11
Van Accessories	11
Window Screens	11

MODEL	PAGE	DESCRIPTION
ACT3	11	3-Place Aerosol Can Holder
ACT4	11	4-Place Aerosol Can Holder
AD28PMC	7	3-Shelf Unit
AD32PMC	7	3-Shelf Unit
AFD181236	10	Floor Drawer
AFD241224	10	Floor Drawer
AFD241236	10	Floor Drawer
BH4	10	4-Slot Literature Rack
BRK14EPS	7	End Panel Mounting Bracket
CB2	10	2-Book File
CB3	10	3-Book File
CB4	10	Utility Box
CB5	10	5-Slot Literature Rack
CB7	10	7-Slot Literature Rack
CCD-10	4	Center Console Desk
CCDLTH	4	Center Console Laptop Holder
CCDHF10	4	Center Console Hanging File
CH-1514DBL	12	2-Case Holder w/ Cases
CH-EP	12	3-Case Holder w/ Cases
CH1514SGL	12	Single Case Holder w/ Case
CHPPC4S	12	4-Case Holder w/ Cases
CHPPC5SM	12	5-Case Holder w/ Cases
CL1446D	8	Adjustable 3-Shelf Cabinet w/ Lock
CL1446R	8	Adjustable 3-Shelf Cabinet w/ Lock
CRH2	11	Cable Reel Holder
DC6	9	3-Drawer Unit
DC12	9	3-Drawer Unit
DK3008	7	Door Kit
DK3010	7	Door Kit
DK4208	7	Door Kit w/ Open Back
DK4210	7	Door Kit w/ Open Back
DK4808	7	Door Kit
DK4810	7	Door Kit
DS06112V	9	Drawer System
DS36012H	9	9-Drawer Unit
DS46012	9	12-Drawer Unit
DST21	11	Door Storage Tray
DT21	11	Door Tray
DTL21	11	Door Tray Lid
DTWL21	11	Door Tray w/ Latching Lid
DV12	7	Shelf Divider
DV14	7	Shelf Divider
DV14C1	7	Shelf Divider
DV14C8	7	14" Shelf Dividers
HAD3259	6,7	Hybrid 4-Shelf Unit
HAD4459	6,7	Hybrid 4-Shelf Unit
HAD5059	6,7	HAD Shelf 50"
HD3259	6	4-Shelf Unit
HD32TC	6	3-Shelf Unit
HD4459	6	4-Shelf Unit
HD5059	6	4-Shelf Unit
HD-28NV2	6	3-Shelf Unit
ILR	14	Ladder Holder
JD42FP	7	3-Shelf Unit
JD52FP	7	3-Shelf Unit
JD48FP	7	2-Shelf Unit
JD60FP	7	3-Shelf Unit
KDRH1426	11	Wire Reel Holder
KDRH1432	11	Wire Reel Holder
KDRH1444	11	Wire Reel Holder
KDRH1450	11	Wire Reel Holder
KDRH2	11	2-Bar Wire Reel Holder
P2PMCFW15	5	Wire Partition
P1PMCS15	5	Solid Steel Partition - PMC
P2PMCS15	5	Steel Partitoin w/ Visibility
PA10	5	File Holder
PA5-SPR	5	Partition Climate Control Kit
PA7	5	Reflector Kit w/ Bracket

MODEL	PAGE	DESCRIPTION
PA8	5	Fire Extinguisher
PA9	5	First Aid Tray
PK1	5	Steel Partition Door Kit
PMLR-H61	13	LoadsRite PM High Roof
PMLR-H63	13	Double Loadsrite Ladder Rack
PMLR-LWS61	13	LoadsRite PM Std. Roof
PMLR-LWS63	13	LoadsRite PM Std. Roof
PMLR-SWS61	13	LoadsRite PM Std. Roof 118"
PMLRRKLWB	13	Mounting Roof Rail Kit
PMLRRKMWB	13	Mounting Roof Rail Kit
PMLRRKSWB	13	Mounting Roof Rail Kit
PMLRRKXLWB	13	Mounting Roof Rail Kit
PPCL	12	Large Portable Parts Case
PPCS	12	Small Portable Parts Case
RKA1	7	Rail Kit Adapter
RKA3	7	Rail Kit Adapter
RKA4	7	Rail Kit Adapter
RKA919	7	Drawer Riser Kit
RKABRK1	7	Single Adapter Bracket for Rail Kit
RKABRK2	7	Double Adapter Brackets for End Panel
RK72PMC	7	Mounting Rail Kit
RKPMC	7	Mounting Rail Kit
RKPMLWB	7	Mounting Rail Kit
RKPMWB	7	Mounting Rail Kit
RKPMXLWB	7	Mounting Rail Kit
RKPSWB	7	Rail Kit 118" WB PM
S1M1C1PM	4	Steel Partition Panel Kit
S1M1HC1PM	4	Steel Partition Panel Kit w/ Door Kit
S1M2C2PM	4	Steel Partition Panel Kit w/ Visibility
S1M2HC2PM	4	Steel Partition Panel Kit w/ Visibility & Door Kit
SBIN060614	10	Snap In Bin
SBIN120614	10	Snap In Bin
SBINDIV	10	Snap In Bin Divider
SPT-4	9	SP Tote/Combo
SPT-4P	9	SP Tote/Poly
SPT-4S	9	SP Tote/Steel
SPT-S	9	SPT Steel Tray
SPT-P	9	SPT Poly Tote
STP12G	11	Touch-Up Paint
STP12W	11	Touch-Up Paint
STP12B	11	Touch-Up Paint
TA1	5,11	4-Hook Bar
TA2	11	Hard Hat Holder
TA18	8	Compressed Gas Tank Cabinet
TA19	8	Compressed Gas Tank Cabinet
TA20	8	Compressed Gas Tank Cabinet
TH30	5	Tank Holder
TH50	5	Tank Holder
UH10	11	Utility Hook
UH25	11	Utility Hook
UH50	11	Utility Hook
VMA36	11	Vice Mount Assembly
WKC1PM	4	Steel Partition Mounting Kit
WKC1PM3	4	Steel Partition Mounting Kit
WKC1PMR	4	Steel Partition Retro Mounting Kit
WKC1PMR3	4	Steel Partition Retro Mounting Kit
WRH5	11	5-Bar Spool Holder
1	8	Adjustable Single Shelf Cabinet w/Lock
1A	8	Cabinet Shelf
1BARRPM-B	14	Center Cross Bow Kit

MODEL	PAGE	DESCRIPTION
1BARRPM-W	14	Center Cross Bow Kit
1BPMCGL	15	Center Cross Bow Kit
2	9	4-Drawer Unit
2BARRPM2-B	14	2-Bar Utility Rack w/ rear Roller
2BARRPM2-W	14	2-Bar Utility Rack w/ rear Roller
2BPMC	15	2-Bar Utility Rack
2BPM-B	14	2-Bar Utility Rack
2BPM-W	14	2-Bar Utility Rack
3BARRPM2-B	14	3 Bar Utility Rack
3BARRPM2-W	14	3-Bar Utility Rack w/ Rear Roller
3BPM-B	14	3-Bar Utility Rack
3BPM-W	14	3-Bar Utility Rack
4A	11	Parts Tray
4B	11	Parts Tray
8	9	3-Drawer Unit
9	9	4-Drawer Unit w/ Lock
12	8	Adjustable Single Shelf Cabinet w/Lock
12A	8	Cabinet End Panel
14	11	Step Stool
17A	10	6-Shelf Catalog File
19	9	2-Drawer Unit w/ Lock
25	9	Drawer Divider Assembly
26	9	Drawer Divider Assembly
27	9	Drawer Divider Assembly
43	10	3-Shelf Literature Rack
60-129	11	Rear Door Security Screen
60-131	11	Passenger Side Sliding Door Security Screen
60-PM-MLXW	11	Security Screen Kit
60-PM-SWB	11	Window Screen
60-PMCRD	11	Rear Doors Security Screen Kit
60-PMCS	11	Side Sliding Doors Security Screen Kit
61-PMC	15	Single Grip Lock Ladder Rack
61-TCSSUR	15	Utility Rack add-on, PMC
63-PMC	15	Double Grip Lock Ladder Rack
80-1	14	Conduit Kit
80-2	14	Conduit Kit
88-118PM	11	Workmat Kit
88-136PM	11	Workmat Kit
88-159EXPM	11	Workmat Kit
88-159PM	11	Workmat Kit
89-PM136	11	Composite Floor
89-PM159	11	Composite Floor
919	9	3-Drawer Unit w/ Lock
4959PMC	24	Base Starter Package
4960PMC	24	Base Starter Package
4961PMC	24	Base Starter Package
4962PMC	24	Base Starter Package
4964PMC	25	Dual Shelf Starter Package
4965PMC	25	Dual Shelf Starter Package
4966PMC	25	Triple Shelf Starter Package
4967PMC	25	Triple Shelf Starter Package
5080PMC	28	Plumbing Starter Package
5081PMC	28	Satellite Installation Starter Package
5082PMC	28	Commercial Starter Package
5083PMC	28	Electrical Starter Package
5084PMC	28	General Service Starter Package
5096PMC	26	Plumbing Starter Package
5097PMC	26	Satellite Installation Starter Package
5098PMC	26	Satellite Installation Starter Package

MODEL	PAGE	DESCRIPTION	MODEL	PAGE	DESCRIPTION	MODEL	PAGE	DESCRIPTION
5099PMC	26	Electrical Starter Package						
5100PMC	26	Gen Svc Pkg Pro City						
5180	18	General Service Starter Package						
5181	18	Electrical Starter Package						
5182	20	Security Starter Package						
5183	21	Satellite Installation Starter Package						
5184	21	HVAC Starter Package						
5185	22	General Service Starter Package						
5186	22	Electrical Starter Package						
5187	23	Security Starter Package						
5188	23	Satellite Installation Starter Package						
5189	23	HVAC Starter Package						
5274	18	Locksmith Starter Package						
5462	16	General Service Starter Package						
5463	16	Electrical Starter Package						
5464	16	Security Starter Package						
5465	17	Satellite Installation Starter Package						
5466	17	HVAC Starter Package						
5467	17	Locksmith Starter Package						
35325-G	7	32" ADseries Add-on Shelf						
35327-G	7	44" ADseries Add-on Shelf						
35328-G	7	50" ADseries Add-on Shelf						

# ADRIAN STEEL COMPANY



## QUALITY

- Our products are durable and reliable. Warranty claims are less than 1% of sales.
- Our warranty covers our products for three years or 36,000 miles.

## INNOVATIVE PRODUCTS WITH FEATURES THAT MATTER

- Drawers that stay closed while in transit.
- ADseries truly adjustable shelving platform.
- Drop Down ladder racks that load and unload the safe and right way.
- Trade specific interiors.
- Plug and Play accessories.
- File storage, removable small parts bins, and much more!

## COMMITMENT

At Adrian Steel, we are committed to you beyond the upfit!

- A dedicated Customer Care Team at corporate headquarters.
- A network of highly qualified distributors to support you locally.
- Our commitment to provide the best cargo management solutions in North America.

## EXPERIENCE

- **Over One Million vans upfitted**, and counting! It's a fact that an organized vehicle increases work flow efficiencies and reduces inventory damages.
- Recognized as a National Truck Equipment Association MVP.



## SERVICE

- Adrian Steel Products can be purchased throughout North America at authorized Adrian Steel distributors.
- Adrian Steel Customer Service Representatives are available M-F, 8am - 5pm EST at **1-800-677-2726**.
- E-mail us at [info@adriansteel.com](mailto:info@adriansteel.com) with questions, comments and feedback.
- Visit [AdrianSteel.com](http://AdrianSteel.com) for the most up-to-date product information, distributor locator, product catalogs, videos and more.

## PROUDLY DISTRIBUTED BY:



906 James Street  
Adrian, Michigan 49221-3996  
517-265-6194 Fax: 517-265-5834  
Toll Free **800-677-2726**  
[adriansteel.com](http://adriansteel.com) [info@adriansteel.com](mailto:info@adriansteel.com)